

SBC3515-S

3U OpenVPX Single Board Computer with BuiltSAFE®

Tackle AI and aircraft safety-critical workloads with confidence

- Intel® Core™ Gen 11 processor
- Integrated Intel® Iris® Xe Gen12 GPU
- Safety certifiable with complete DO-254 and DO-178C artifacts
- 10 Gb Ethernet
- 35 W power-efficient performance
- Rugged and SOSA aligned



TECHNICAL SPECIFICATIONS

Processor

Intel® Core™ Gen11 i7-1185GRE
 Quadcore dual thread @2.8 GHz
 Vector (AVX-512) and AI accelerators
 Technology 10 nm on SuperFin transistor

Integrated Graphics Processing Unit

Intel® Iris® Xe Gen12 graphics
 up to 96 EUs
 CoreAVI VKCore DO-178C drivers
 Video encode/decode H264/H265

BuiltSAFE® Proven Elements

DO-254 hardware
 DO-178C graphics, compute and video encode/decode software
 Board monitoring and health alarms
 Design and information assurance

Memory

32 GB DDR4-3200 in-band ECC memory
 Up to 128 GB on-board SSD

Configurable I/O

Up to 4 independent display units
 2x 10 G Ethernet
 1x 1000 BASE-T Ethernet with TSN
 2x SATA

Fabric Interface

PCIe Gen3 2x 4-lane, 4x 2-lane
 CMOSS/SOSA Slot Profile: SLT3-PAY-1F1F2U1TU1T1U1T-14.2.16
 Module Profile: MOD3-PAY--1F1F2U1TU1T1U1T-16.2.15-2

System Management

On-board IPMI controller VITA46.11
 Trusted Platform Module (TPM 2.0) support

Mechanical

3U OpenVPX, 1.0" slot pitch, VITA 65
 XMC slot, VITA 61
 P1: X12d pins to VPX backplane
 P2: X8d + X16s pins to VPX backplane

Partnering with



CONTACT US

TECHNICAL SPECIFICATIONS

Rugged and Low Power

Temperature: -40°C to 85°C card edge

Air- or conduction-cooled configurations

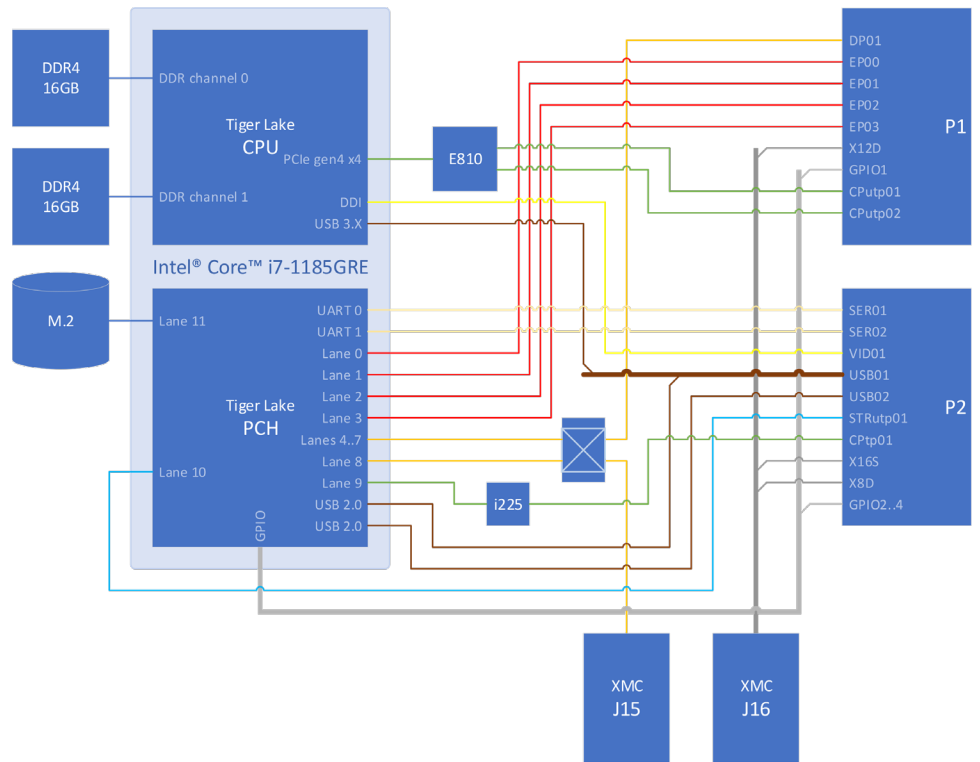
35 W power consumption

[Advanced rugged packaging options](#)

Board Support Packages (BSP)

- Linux
- Greenhills
- LynxOS
- PikeOS
- WindRiver

SBC3515-S Block Diagram



Corporate Headquarters

50 Minuteman Road
 Andover, MA 01810 USA
 +1 978.967.1401 tel
 +1 866.627.6951 tel
 +1 978.256.3599 fax

International Headquarters

Mercury International
 Avenue Eugène-Lance, 38
 PO Box 584
 CH-1212 Grand-Lancy 1
 Geneva, Switzerland
 +41 22 884 51 00 tel

Learn more

Visit: mrcy.com/contact-us



The Mercury Systems logo and the following are trademarks or registered trademarks of Mercury Systems, Inc.: Mercury Systems, Innovation That Matters, and BuiltSECURE. Other marks used herein may be trademarks or registered trademarks of their respective holders. Mercury believes this information is accurate as of its publication date and is not responsible for any inadvertent errors. The information contained herein is subject to change without notice.