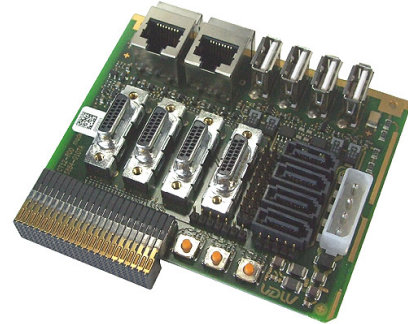


CT12 – 3U CompactPCI® PlusIO Rear I/O Transition Module

- **CompactPCI® PlusIO PICMG 2.30**
- **3U / 100x80 mm standard format**
- **2 Gigabit Ethernet**
- **4 USB 2.0**
- **4 PCIe® x1**
- **4 SATA**
- **-40 to +85°C qualified**

The CT12 is a 3U CompactPCI® rear I/O transition module for use in combination with MEN's PICMG 2.30-based single-board computers.



It is plugged onto J2 of the CompactPCI® backplane system slot from the rear side and leads the rear-panel serial I/O signals to standard connectors.

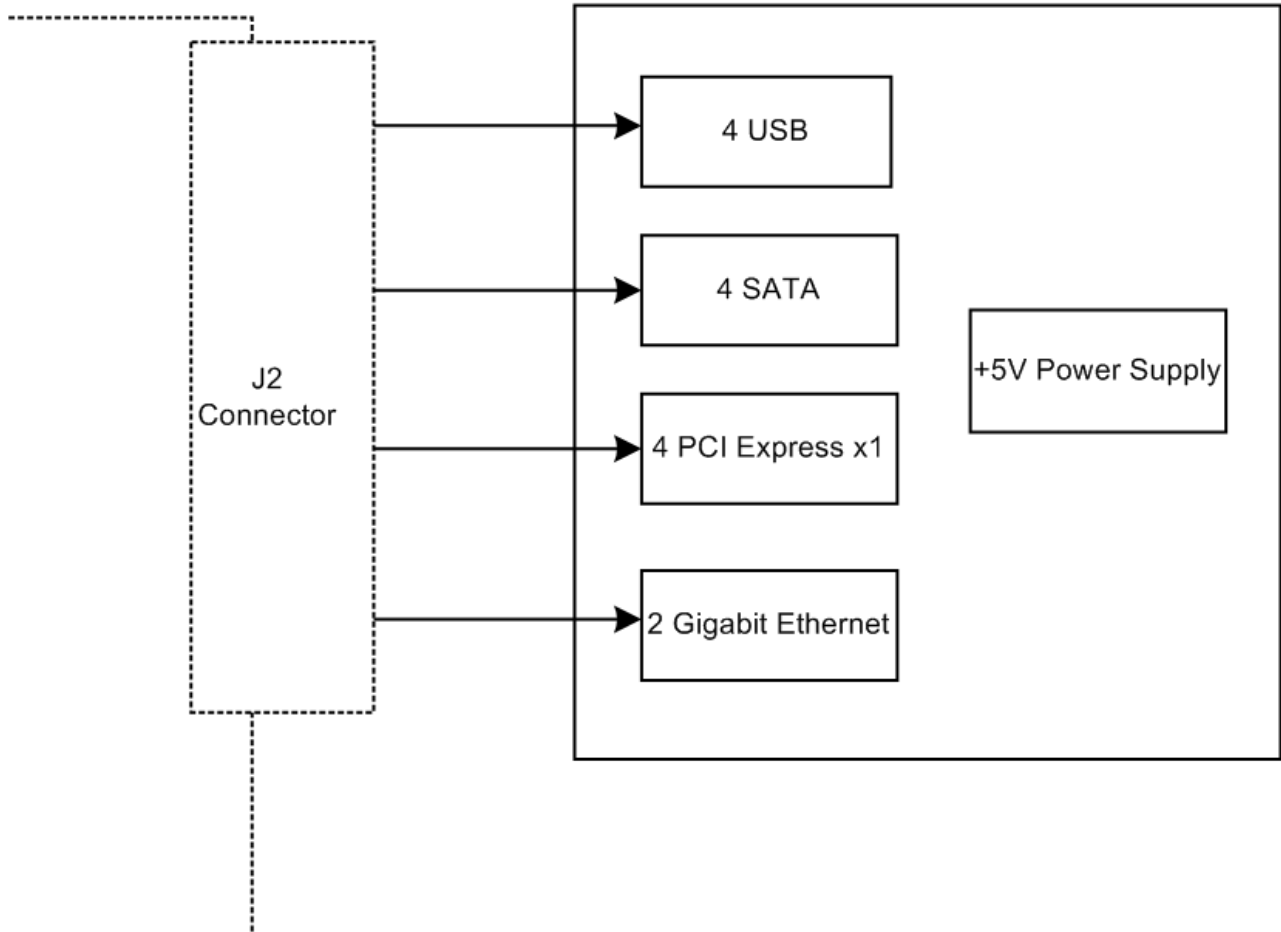
The signals are two Gigabit Ethernet, four PCI Express® x1 links, four USB and four SATA interfaces as defined by the PICMG 2.30 CompactPCI® PlusIO specification.

In addition the board is equipped with a +5V connector for supplying the CT12.

Diagram

CPU Board

CT12 Transition Module



Technical Data

Peripheral Connections	<ul style="list-style-type: none">■ SATA<ul style="list-style-type: none">□ 4 ports on 7-pin SATA connectors□ For HDD connection with ribbon cables■ USB<ul style="list-style-type: none">□ 4 host ports on Series A connectors■ Gigabit Ethernet<ul style="list-style-type: none">□ 2 RJ45 connectors□ 1500 Vrms isolation■ PCI Express®<ul style="list-style-type: none">□ 4 x1 links on 18-pin PCI Express® cable connectors
Electrical Specifications	<ul style="list-style-type: none">■ Supply voltage/power consumption:<ul style="list-style-type: none">□ +5V 4-pin power supply connector
Mechanical Specifications	<ul style="list-style-type: none">■ Dimensions: 100x80 mm conforming to CompactPCI® specification for 3U boards■ Weight: 96 g
Environmental Specifications	<ul style="list-style-type: none">■ Temperature range (operation):<ul style="list-style-type: none">□ -40..+85°C (qualified components)□ Airflow: min. 1.5m/s■ Temperature range (storage): -40..+85°C■ Relative humidity (operation): max. 95% non-condensing■ Relative humidity (storage): max. 95% non-condensing■ Altitude: -300m to + 3,000m■ Shock: 15g/11ms■ Bump: 10g/16ms■ Vibration (sinusoidal): 1g/10..150Hz■ Conformal coating on request
MTBF	<ul style="list-style-type: none">■ 2 978 668 h @ 40°C according to IEC/TR 62380 (RDF 2000)
Safety	<ul style="list-style-type: none">■ PCB manufactured with a flammability rating of 94V-0 by UL recognized manufacturers
EMC	<ul style="list-style-type: none">■ Conforming to EN 55022 (radio disturbance), IEC1000-4-2 (ESD) and IEC1000-4-4 (burst)

Configuration & Options

Standard Configurations

Article No.	Ethernet	USB	SATA	PCIe
08CT12-00	2	4	4	4

Options

Mechanical	<ul style="list-style-type: none"> Front panel for mechanical fixing
-------------------	---

Please note that some of these options may only be available for large volumes. Please ask our sales staff for more information.

Ordering Information

Standard CT12 Models	08CT12-00	CompactPCI® PlusIO rear transition module 3U/80mm, 2 Ethernet, 4 USB, 4 SATA, 4 PCIe® x1, -40°C..+85°C qualified
Documentation		Compare Chart 3U CompactPCI® / PlusIO extension cards » Download
	20CT12-00	CT12 User Manual

Contact Information

Germany

MEN Mikro Elektronik GmbH
Neuwieder Straße 3-7
90411 Nuremberg
Phone +49-911-99 33 5-0
Fax +49-911-99 33 5-901

info@men.de
www.men.de

France

MEN Mikro Elektronik SA
18, rue René Cassin
ZA de la Châtelaine
74240 Gaillard
Phone +33 (0) 450-955-312
Fax +33 (0) 450-955-211

info@men-france.fr
www.men-france.fr

USA

MEN Micro Inc.
860 Penllyn Blue Bell Pike
Blue Bell, PA 19422
Phone (215) 542-9575
Fax (215) 542-9577

sales@menmicro.com
www.menmicro.com

The date of issue stated in this data sheet refers to the Technical Data only. Changes in ordering information given herein do not affect the date of issue. All brand or product names are trademarks or registered trademarks of their respective holders.

MEN is not responsible for the results of any actions taken on the basis of information in the publication, nor for any error in or omission from the publication.

MEN expressly disclaims all and any liability and responsibility to any person, whether a reader of the publication or not, in respect of anything, and of the consequences of anything, done or omitted to be done by any such person in reliance, whether wholly or partially, on the whole or any part of the contents of the publication.

The correct function of MEN products in mission-critical and life-critical applications is limited to the environmental specification given for each product in the technical user manual. The correct function of MEN products under extended environmental conditions is limited to the individual requirement specification and subsequent validation documents for each product for the applicable use case and has to be agreed upon in writing by MEN and the customer. Should the customer purchase or use MEN products for any unintended or unauthorized application, the customer shall indemnify and hold MEN and its officers, employees, subsidiaries, affiliates, and distributors harmless against all claims, costs, damages, and expenses, and reasonable attorney fees arising out of, directly or indirectly, any claim or personal injury or death associated with such unintended or unauthorized use, even if such claim alleges that MEN was negligent regarding the design or manufacture of the part.

In no case is MEN liable for the correct function of the technical installation where MEN products are a part of.

Copyright © 2013 MEN Mikro Elektronik GmbH. All rights reserved.