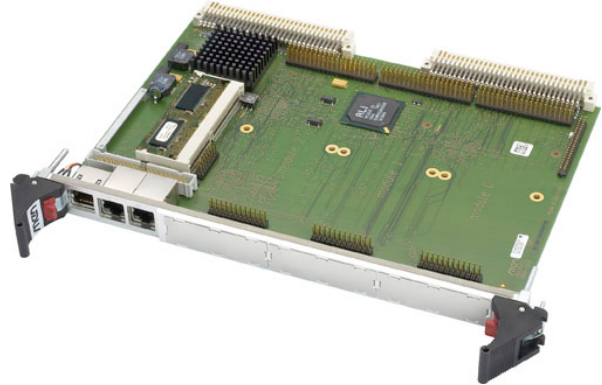


# A15B – 6U VME64 MPC8245 CPU Board (M-Modules™)

- PowerPC® MPC8245 / 400 MHz
- 1-slot 64-bit VMEbus master and slave
- 256 MB DRAM, CompactFlash®
- Dual 10/100Mbit Fast Ethernet
- 4 COMs, USB, IDE, keyboard/mouse
- 3 M-Module™ slots
- MENMON™ BIOS for PowerPC® cards



The A15B is a PowerPC® MPC8245 based single-board computer for embedded applications. It features full VME64 support and it can be used as a master or a slave in a VMEbus environment. The A15B provides 1 MB local dual-ported SRAM for slave access and communication between the local CPU and another VMEbus master.

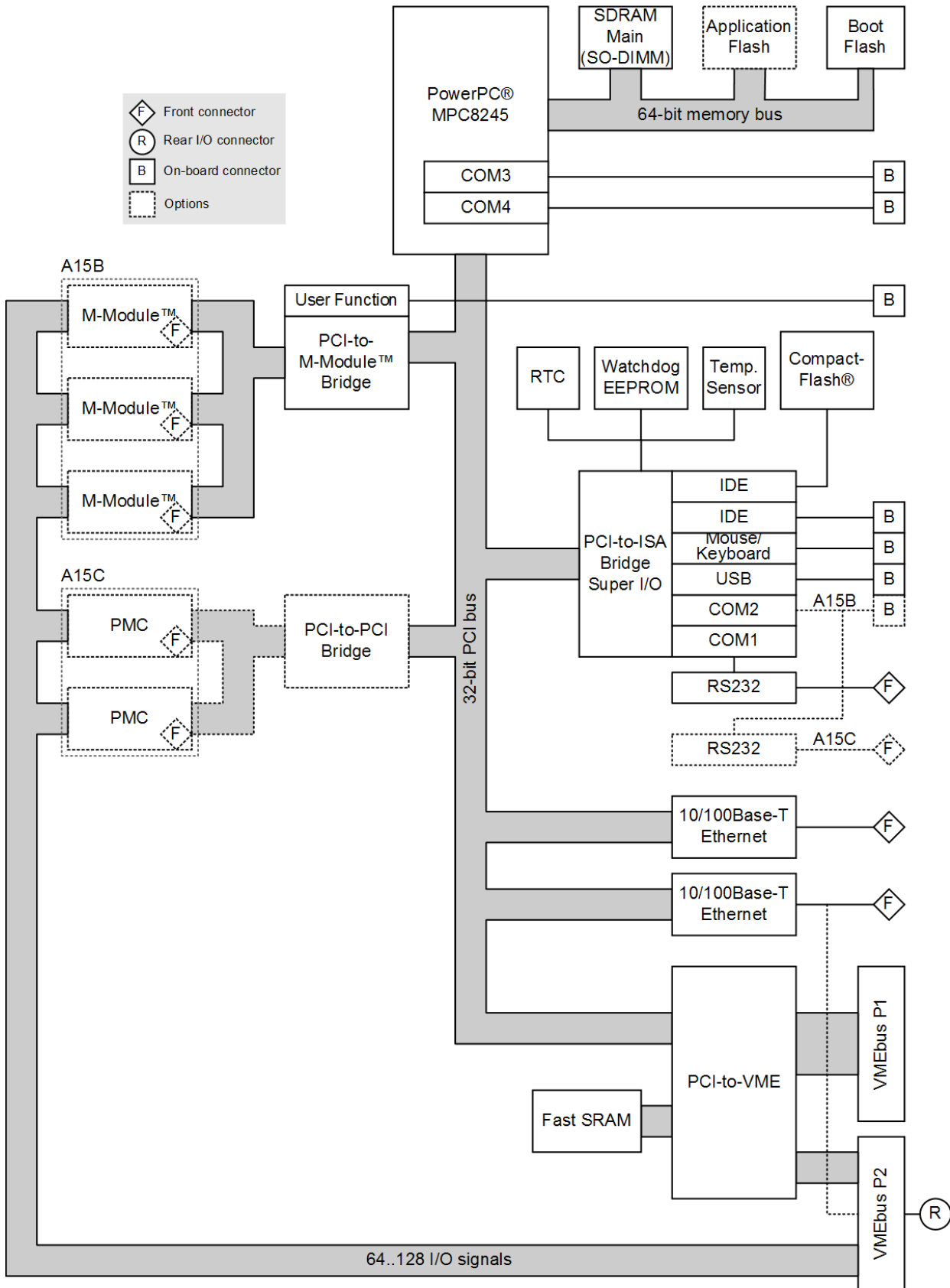
The CPU card comes with the MPC8245 PowerPC® with 400 MHz clock frequency and local 32-bit/33-MHz PCI data bus. It is a complete state-of-the-art SBC offering DRAM, Flash and CompactFlash® memory, dual Fast Ethernet, four COMs, USB, IDE and keyboard/mouse interfaces as well as an optional onboard hard disk. A software-loadable FPGA is available for individual user-defined functions such as additional UARTs, a CAN bus interface, DSP functions etc.

In addition, the A15B can be equipped with M-Module™ mezzanine cards supporting both front I/O and rear I/O. M-Modules™ are recommended for real-world I/O like analog/binary process I/O and instrumentation I/O. The modular combination of I/O functionality on a single-board computer allows to build up tailored control systems which appear as customized solutions based on standard components. Depending on the kind of I/O requirements, further standard versions of A15 are available for other mezzanine standards.

The A15 comes with MENMON™ support. This firmware/BIOS can be used for bootstrapping operating systems (from disk, Flash or network), for hardware testing, or for debugging applications without running any operating system.

The A15 single-board computer is partly compatible with the MVME2100 board by Motorola.

# Diagram



## Technical Data

<b>CPU</b>	<ul style="list-style-type: none"><li>■ PowerPC®<ul style="list-style-type: none"><li>□ MPC8245</li><li>□ 400 MHz</li><li>□ Double precision FPU</li></ul></li></ul>
<b>Memory</b>	<ul style="list-style-type: none"><li>■ L1 Cache integrated in MPC8245</li><li>■ Up to 512 MB SDRAM system memory<ul style="list-style-type: none"><li>□ One 144-pin SO-DIMM slot for SDRAM modules</li><li>□ 133 MHz memory bus frequency</li></ul></li><li>■ 2 MB Boot Flash</li><li>■ 32 MB application Flash (optional)<ul style="list-style-type: none"><li>□ 64-bit data bus</li></ul></li><li>■ Serial EEPROM 4 kbits for factory settings</li><li>■ CompactFlash® card interface<ul style="list-style-type: none"><li>□ Via onboard IDE</li><li>□ Type I</li><li>□ True IDE</li></ul></li></ul>
<b>Mass Storage</b>	<ul style="list-style-type: none"><li>■ Parallel IDE (PATA)<ul style="list-style-type: none"><li>□ One port for local CompactFlash®</li><li>□ One port for local hard-disk drive</li><li>□ Drive can be connected via ribbon cable or mounted directly on the CPU board using MEN adapter kit</li><li>□ Only one VMEbus slot needed even with hard disk</li><li>□ IDE port also available for rear I/O, alternatively to onboard connector</li></ul></li></ul>
<b>I/O</b>	<ul style="list-style-type: none"><li>■ USB<ul style="list-style-type: none"><li>□ One USB 1.1 port</li><li>□ Accessible via I/O connector J2</li><li>□ OHCI implementation</li><li>□ Data rates up to 12 Mbit/s</li><li>□ External PHY</li></ul></li><li>■ Ethernet<ul style="list-style-type: none"><li>□ Two 10/100Base-T Ethernet channels</li><li>□ RJ45 connectors with two LEDs at front panel</li></ul></li><li>■ One RS232 UART (COM1)<ul style="list-style-type: none"><li>□ RJ45 connector at front panel</li><li>□ Data rates up to 115.2 kbit/s</li><li>□ 16-byte transmit/receive buffer</li><li>□ Handshake lines: CTS, RTS; DCD, DSR, DTR</li><li>□ 16550 compliant</li></ul></li><li>■ One UART (COM2)<ul style="list-style-type: none"><li>□ Accessible via I/O connector</li><li>□ Physical interface at front panel or using SA-Adapter™ via 10-pin ribbon cable on I/O connector, depending on board version</li><li>□ RS232..RS485, isolated or not: for free use in system (e.g., cable to front)</li><li>□ Data rates up to 115.2 kbit/s</li><li>□ 16-byte transmit/receive buffer</li><li>□ Handshake lines: full support; lines depend on SA-Adapters™</li><li>□ 16550 compliant</li></ul></li><li>■ Two UARTs (COM3/COM4)<ul style="list-style-type: none"><li>□ Accessible via I/O connector</li><li>□ Data rates up to 115.2 kbit/s</li><li>□ 16-byte transmit/receive buffer</li><li>□ Handshake lines: none</li><li>□ 16550 compliant</li></ul></li><li>■ PS/2 keyboard/mouse<ul style="list-style-type: none"><li>□ Accessible via I/O connector</li><li>□ Requires external PHY</li></ul></li></ul>

## Technical Data

<b>Rear I/O</b>	<ul style="list-style-type: none"> <li>■ IDE (alternatively to onboard connector)</li> <li>■ GPIO (alternatively to onboard connector)</li> <li>■ M-Module™ 0, 1 and 2</li> </ul>
<b>Mezzanine Extensions</b>	<ul style="list-style-type: none"> <li>■ Three M-Module™ slots <ul style="list-style-type: none"> <li>□ Compliant with M-Module™ standard</li> <li>□ Characteristics: A08, A24, D16, D32, INTA, INTC</li> </ul> </li> </ul>
<b>Miscellaneous</b>	<ul style="list-style-type: none"> <li>■ Serial real-time clock with integrated 56-byte NVRAM</li> <li>■ Serial hardware watchdog in supervisory circuit</li> <li>■ Temperature sensor</li> <li>■ Hex switch for user settings</li> <li>■ User LEDs (integrated into COM1 connector)</li> <li>■ Reset button in ejector handle</li> <li>■ Abort button via I/O connector</li> <li>■ JTAG/BDM connector</li> </ul>
<b>Local PCI Bus</b>	<ul style="list-style-type: none"> <li>■ 32-bit/33-MHz, 3.3V V(I/O)</li> <li>■ Compliant with PCI Specification 2.2</li> </ul>
<b>VMEbus</b>	<ul style="list-style-type: none"> <li>■ Compliant with VME64 Specification</li> <li>■ Slot-1 function with auto-detection</li> <li>■ Master <ul style="list-style-type: none"> <li>□ D08(E0):D16:D32:D64:A16:A24:A32:ADO:BLT:RMW</li> </ul> </li> <li>■ Slave <ul style="list-style-type: none"> <li>□ D08(E0):D16:D32:D64:A16:A24:A32:BLT:RMW</li> </ul> </li> <li>■ 1 MB shared fast SRAM</li> <li>■ DMA</li> <li>■ Mailbox functionality</li> <li>■ Interrupter D08(O):I(7-1):ROAK</li> <li>■ Interrupt handler D08(O):IH(7-1)</li> <li>■ Single level 3 fair requester</li> <li>■ Single level 3 arbiter</li> <li>■ Bus timer</li> <li>■ Location Monitor</li> <li>■ Performance <ul style="list-style-type: none"> <li>□ Coupled read/write D32 non-block transfer rate 6.5 MB/s</li> <li>□ DMA read/write D32 BLT transfer rate 12.1 MB/s</li> <li>□ DMA read/write D64 MBLT transfer rate 25 MB/s</li> </ul> </li> </ul>
<b>Electrical Specifications</b>	<ul style="list-style-type: none"> <li>■ Supply voltage/power consumption: <ul style="list-style-type: none"> <li>□ +5 V (-3%/+5%), 1.3 A typ.</li> <li>□ ±12 V (-5%/+5%), only used for mezzanines, tbd.</li> </ul> </li> <li>■ MTBF: 126 000 h @ 40°C (derived from MIL-HDBK-217F)</li> </ul>
<b>Mechanical Specifications</b>	<ul style="list-style-type: none"> <li>■ Dimensions: standard double Eurocard, 233.3 mm x 160 mm</li> <li>■ Weight (without mezzanines and accessories): 330 g</li> </ul>
<b>Environmental Specifications</b>	<ul style="list-style-type: none"> <li>■ Temperature range (operation): <ul style="list-style-type: none"> <li>□ 0..+60°C</li> <li>□ Industrial temperature range up to -25..+85°C on request</li> <li>□ Airflow: min. 10 m<sup>3</sup>/h</li> </ul> </li> <li>■ Temperature range (storage): -40..+85°C</li> <li>■ Relative humidity (operation): max. 95% non-condensing</li> <li>■ Relative humidity (storage): max. 95% non-condensing</li> <li>■ Altitude: -300 m to +3000 m</li> <li>■ Shock: 15 g, 11 ms</li> <li>■ Bump: 10 g, 16 ms</li> <li>■ Vibration (sinusoidal): 2 g, 10..150Hz</li> <li>■ Conformal coating on request</li> </ul>

## Technical Data

---

<b>Safety</b>	<ul style="list-style-type: none"><li>■ PCB manufactured with a flammability rating of 94V-0 by UL recognized manufacturers</li></ul>
<b>EMC</b>	<ul style="list-style-type: none"><li>■ Tested according to EN 55022 (radio disturbance), IEC1000-4-2 (ESD) and IEC1000-4-4 (burst)</li></ul>
<b>BIOS</b>	<ul style="list-style-type: none"><li>■ MENMON™</li></ul>
<b>Software Support</b>	<ul style="list-style-type: none"><li>■ Linux</li><li>■ VxWorks®</li><li>■ OS-9®</li><li>■ QNX®</li><li>■ <a href="#">For more information on supported operating system versions and drivers see Downloads.</a></li></ul>

## Configuration & Options

### Standard Configurations

Article No.	CPU Type	Clock	System RAM	CFlash	Boot Flash	Mezzanine Slots	Operating Temperature
01A015B00	MPC8245	400 MHz	256 MB	0 MB	2 MB	3 M-Modules	0..+60°C
01A015C02	MPC8245	400 MHz	512 MB	0 MB	2 MB	2 PMC	-25..+85°C

### Options

<b>CPU</b>	<ul style="list-style-type: none"> <li>■ MPC8245, 400 MHz</li> </ul>
<b>Memory</b>	<ul style="list-style-type: none"> <li>■ System RAM                             <ul style="list-style-type: none"> <li>□ 128 MB, 256 MB or 512 MB</li> </ul> </li> <li>■ CompactFlash®                             <ul style="list-style-type: none"> <li>□ 0 MB up to maximum available</li> </ul> </li> <li>■ Boot Flash                             <ul style="list-style-type: none"> <li>□ 2 MB</li> </ul> </li> <li>■ Application Flash                             <ul style="list-style-type: none"> <li>□ 32 MB, 64-bit data bus</li> </ul> </li> </ul>
<b>Mezzanine Slots</b>	<ul style="list-style-type: none"> <li>■ 2 PMC</li> <li>■ 3 M-Modules™</li> </ul>
<b>Operating Temperature</b>	<ul style="list-style-type: none"> <li>■ 0..+60°C</li> <li>■ -25..+85°C</li> </ul>

Please note that some of these options may only be available for large volumes. Please ask our sales staff for more information.

## Ordering Information

<b>Standard A15B Models</b>	<b>01A015B00</b>	MPC8245, 400MHz, 256 MB SDRAM, 2MB Flash, 3 M-Module™ slots, 0..+60°C
<b>Related Hardware</b>	<b>01A015C02</b>	MPC8245, 400MHz, 512MB SDRAM, 2MB Flash, 2 PMC slots, -25..+85°C screened
	<b>01A021B00</b>	A21B, Freescale™ QorIQ™ single-core P1013, 800 MHz, 1 GB DDR3 ECC SDRAM, 32 MB Flash, 3 M-Module™ slots, -40 to +85°C screened
<b>Memory</b>	<b>0751-0042</b>	CompactFlash® card, 4 GB, Type I, fixed bit set, -40..+85°C
	<b>0751-0055</b>	CompactFlash® card, 8 GB, Type I, fixed bit set, -40..+85°C
	<b>0751-0058</b>	CompactFlash® card, 16 GB, Type I, fixed bit set, -40..+85°C
	<b>0751-0061</b>	CompactFlash® card, 2 GB, Type I, fixed bit set, -40 to +85°C
<b>SA-Adapters™</b>	You can find a more detailed overview of possible carrier board/SA-Adapter™ combinations along with software support in our <a href="#">option matrix (PDF)</a> .	
	<b>08SA01-00</b>	RS232, not optically isolated, 0..+60°C
	<b>08SA02-00</b>	RS422/485, half duplex, optically isolated, 0..+60°C
	<b>08SA02-01</b>	RS422/485, full duplex, optically isolated, 0..+60°C
	<b>08SA02-07</b>	RS422/485, full duplex, optically isolated, -40..+85°C screened
	<b>08SA03-00</b>	1 RS232, optically isolated, 0..+60°C
	<b>08SA03-01</b>	1 RS232, optically isolated, -40..+85°C screened
<b>Systems &amp; Card Cages</b>	MEN delivers turn-key systems completely installed (hardware, operating system, accessories), wired and tested. Different rack sizes, power supplies and backplanes on request. For details please contact your local sales representative.	
<b>Miscellaneous Accessories</b>	<b>05AD67-00</b>	IDE mounting kit 44-pin to 44-pin; 50.8 mm; installation kit for Kahlua Box or A12, A15, D3 with AD67, temperature range: -40..+85°C
	<b>05A012-01</b>	Mounting kit for 2 SA adapters for A12/A15/D3, incl. 6U 1-slot VME or CompactPCI® front panel incl. ribbon cable, without SA adapters
	<b>05F006-00</b>	RS232 interface cable RJ45 to 9-pin D-Sub (1 COM to 1 COM), 2m
	<b>05M000-17</b>	25 mounting screw sets to fix M-Modules™ on carrier boards
	<b>0710-0037</b>	PATA hard disk drive 2.5", 24/7, 80GB, 4200rpm, -15..+70°C
	<b>08AD67-01</b>	I/O extension 19" 6U 4HP incl. 1 USB connector, 1 keyboard connector, 1 mouse connector; prepared for 3 SA adapters, prepared for HDD 2.5", reset, abort, 0..+60°C
	<b>08AD71-00</b>	AD71, 2.5" hard disk adapter for A13, A14, A15, D6, D7
<b>Software: Linux</b>	This product is designed to work under Linux. See below for potentially available separate software packages from MEN.	
	This product is designed to work under ELinOS Embedded Linux by SYSGO. For more information and product support please contact <a href="http://www.sysgo.com">www.sysgo.com</a> .	
	<b>13Z014-90</b>	Linux device driver (MEN) for PCI-to-VME bridge on A12, A13, A14, A15, A17, A19, A20, A21B/A21C and B11
<b>Software: VxWorks®</b>	This product is designed to work under VxWorks®. For details regarding supported/unsupported board functions please refer to the corresponding software data sheets.	
	<b>10F001N60</b>	VxWorks® BSP (MEN) for A15, F1N, B11, A12, D3, SC13 and Kahlua Box

## Ordering Information

<b>Software: QNX®</b>	This product is designed to work under QNX®. For details regarding supported/unsupported board functions please refer to the corresponding software data sheets.	
	<b>10F001N40</b>	QNX® BSP (MEN) for F1N, B11, A12, A15, D3, SC13 and Kahlua Box
<b>Software: OS-9®</b>	This product is designed to work under OS-9®. For details regarding supported/unsupported board functions please refer to the corresponding software data sheets.	
	<b>10F001N02</b>	OS-9®(000) V4.2 BSP (object code, MEN) for F1N, B11, A12, A15, D3, SC13 and Kahlua Box
<b>Software: Firmware/BIOS</b>	MENMON™ is MEN's firmware/BIOS for PowerPC® platforms.	
	<b>14A015-00</b>	MENMON™ (Firmware) for A15 (object code)

For operating systems not mentioned here [contact MEN sales](#).

<b>Documentation</b>	Compare Chart 6U VMEbus CPU and I/O cards » <a href="#">Download</a>	
	<b>20AD67-00</b>	AD67 User Manual
	<b>20A015-00</b>	A15 User Manual
	<b>21APPN003</b>	Application Note: Using P1/P501 Graphics on MEN 824x/ALI boards under ELinOS
	<b>21MENM-00</b>	MENMON™ User Manual

## Contact Information

### Germany

MEN Mikro Elektronik GmbH  
Neuwieder Straße 3-7  
90411 Nuremberg  
Phone +49-911-99 33 5-0  
Fax +49-911-99 33 5-901

info@men.de  
www.men.de

### France

MEN Mikro Elektronik SA  
18, rue René Cassin  
ZA de la Châtelaine  
74240 Gaillard  
Phone +33 (0) 450-955-312  
Fax +33 (0) 450-955-211

info@men-france.fr  
www.men-france.fr

### USA

MEN Micro Inc.  
860 Penllyn Blue Bell Pike  
Blue Bell, PA 19422  
Phone (215) 542-9575  
Fax (215) 542-9577

sales@menmicro.com  
www.menmicro.com

*The date of issue stated in this data sheet refers to the Technical Data only. Changes in ordering information given herein do not affect the date of issue. All brand or product names are trademarks or registered trademarks of their respective holders.*

*MEN is not responsible for the results of any actions taken on the basis of information in the publication, nor for any error in or omission from the publication.*

*MEN expressly disclaims all and any liability and responsibility to any person, whether a reader of the publication or not, in respect of anything, and of the consequences of anything, done or omitted to be done by any such person in reliance, whether wholly or partially, on the whole or any part of the contents of the publication.*

*The correct function of MEN products in mission-critical and life-critical applications is limited to the environmental specification given for each product in the technical user manual. The correct function of MEN products under extended environmental conditions is limited to the individual requirement specification and subsequent validation documents for each product for the applicable use case and has to be agreed upon in writing by MEN and the customer. Should the customer purchase or use MEN products for any unintended or unauthorized application, the customer shall indemnify and hold MEN and its officers, employees, subsidiaries, affiliates, and distributors harmless against all claims, costs, damages, and expenses, and reasonable attorney fees arising out of, directly or indirectly, any claim or personal injury or death associated with such unintended or unauthorized use, even if such claim alleges that MEN was negligent regarding the design or manufacture of the part.*

*In no case is MEN liable for the correct function of the technical installation where MEN products are a part of.*

Copyright © 2014 MEN Mikro Elektronik GmbH. All rights reserved.