



## Product Information

SU3-ENSEMBLE • CompactPCI® Serial  
Isolated RS-485 & RS-232 I/F  
Eight Port UART Modular Design



## Short Description

*The SU3-ENSEMBLE is a peripheral slot card for CompactPCI® Serial systems, based on a PCI Express® octal UART. The board can be individually populated with up to eight isolated transceivers, either RS-485 or RS-232, in any order. The transceiver modules are optionally available with RJ45, Micro-D or D-Sub front panel connectors.*

A 4HP front panel is sufficient for up to four transceiver modules with RJ45 and/or Micro-D connectors. For up to eight modules the SU3-ENSEMBLE is available with an 8HP F/P. Transceiver modules with a D-Sub connector may require up to 12HP front panel width, dependent on the total number of ports, and are typically attached via flat cables.



SU3-ENSEMBLE • 8-Port 8HP Assembly RJ45

## Feature Summary

### Feature Summary

#### CompactPCI® Serial

- ▶ PICMG® CompactPCI® Serial (CPCI-S.0) standard
- ▶ Single size Eurocard 3U 4HP 100x160mm<sup>2</sup>
- ▶ Suitable for CompactPCI® Serial peripheral slot (PCI Express® enabled)
- ▶ CompactPCI® Serial backplane connector P1 for PCI Express®, single lane link
- ▶ Option CompactPCI® Serial backplane connector P6 for even more mechanical ruggedness

#### UART

- ▶ Pericom® PCI Express® octal UART PI7C9X7958
- ▶ High performance 950-class UARTs
- ▶ 16C550 software compatible
- ▶ 128-Byte FIFO for each transmitter/receiver
- ▶ Baud rate up to 15Mbps
- ▶ XON/XOFF in-band flow control
- ▶ CTS/RTS out-of-band control
- ▶ Driver enable signal for PartyLine operation
- ▶ Data frame 5, 6, 7, 8 and 9 bits
- ▶ Clock prescaling 4 to 46
- ▶ 14.4756MHz UART clock
- ▶ 50.0000 MHz clock option for highest RS-485 data rates available (SU5-ENSEMBLE)
- ▶ Windows® WHQL device driver support
- ▶ QNX driver support

## Feature Summary

**RS-485 Transceiver Modules**

- ▶ Choice of three front panel connector types
- ▶ SUF-RS485 - Micro-D (20mm width module)
- ▶ SUH-RS485 - RJ45 (20mm width module)
- ▶ SUJ-RS485 - D-Sub 9-pos. (31mm width module)
- ▶ 5kV rms isolation barrier RS-485/RS-422 transceivers (Analog Devices ADM2682)
- ▶ Configurable as half- or full-duplex
- ▶  $\pm 15$  kV ESD protection on RS-485 input/output pins
- ▶ Transceiver data rate 16Mbps max.
- ▶ Connect up to 256 nodes on one PartyLine bus (driver enable control via dedicated UART mode select outputs)
- ▶ Open- and short-circuit, fail-safe receiver inputs
- ▶ High common-mode transient immunity  $>25$  kV/ $\mu$ s
- ▶ Thermal shutdown protection
- ▶ Suitable e.g. for industrial fieldbus applications

**RS-232 Transceiver Modules**

- ▶ Choice of three front panel connector types
- ▶ SUE-RS232 - Micro-D (20mm width module)
- ▶ SUG-RS232 - RJ45 (20mm width module)
- ▶ SUI-RS232 - D-Sub 9-pos. (31mm width module)
- ▶ 2.5kV Isolation barrier RS-232 transceivers (Analog Devices *isoPower*)
- ▶ Transceivers meet EIA/TIA-232-E specifications
- ▶ High data rate  $> 460$ kbps (each board tested @921.6kbps)
- ▶  $\pm 8$  kV/ $\pm 15$  kV ESD protection on transceiver input/output pins
- ▶ High common-mode transient immunity  $>25$  kV/ $\mu$ s
- ▶ Suitable for high noise data communications and diagnostic ports

## Feature Summary

### Front Panel I/O

- ▶ Up to 4 transceiver modules RJ45 and/or Micro-D within 4HP front panel width
- ▶ Up to 8 transceiver modules RJ45 and/or Micro-D within 8HP front panel width
- ▶ Up to 6 transceiver modules D-Sub within 8HP front panel width (flat cable attachment, front handle replaced by screw lock)
- ▶ Any mix of transceiver modules together with custom specific front panel design, up to 12HP width

### Environment, Regulatory

- ▶ Designed & manufactured in Germany
- ▶ Certified quality management according to ISO 9001
- ▶ Long term availability
- ▶ Rugged solution (coating, sealing, underfilling on request)
- ▶ Custom specific modifications on request
- ▶ RoHS compliant
- ▶ Operation temperature -40°C to +85°C (industrial temperature range)
- ▶ Storage temperature -40°C to +85°C, max. gradient 5°C/min
- ▶ Humidity 5% ... 95% RH non condensing
- ▶ Altitude -300m ... +3000m
- ▶ Shock 15g 0.33ms, 6g 6ms
- ▶ Vibration 1g 5-2000Hz
- ▶ MTBF 53.1 years (SU3 board w/o transceiver modules)
- ▶ EC Regulations EN55022, EN55024, EN60950-1 (UL60950-1/IEC60950-1)

items are subject to changes w/o further notice

Please note: If an EKF product was labelled with this contact [support@ekf.com](mailto:support@ekf.com) for availability of additional

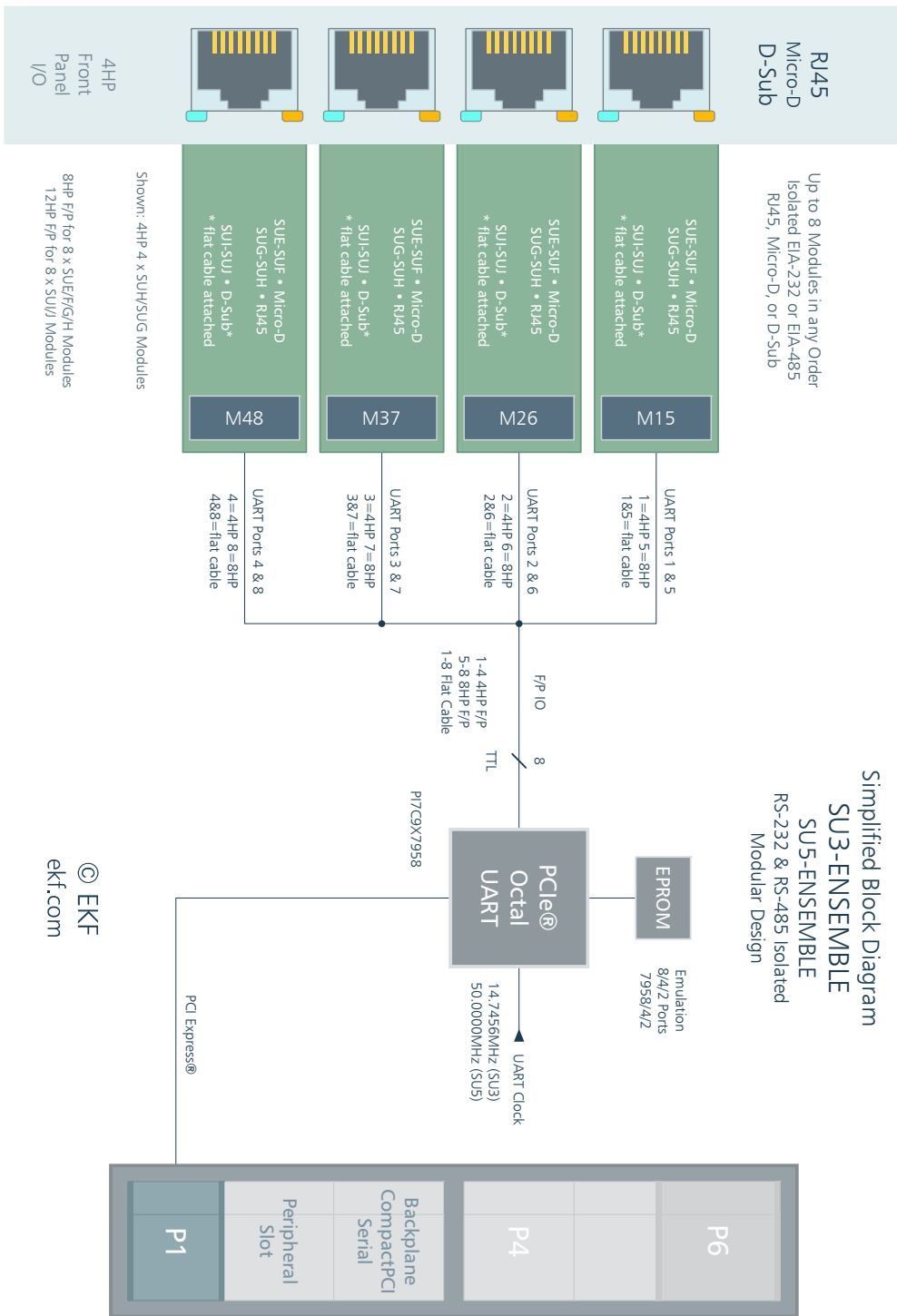


special sign according to ISO 7010 M002, please documentation which may be important for proper usage.



SU3-ENSEMBLE w. 6 x D-Sub Transceiver Modules (8HP Front Panel)

Block Diagram



© EKF  
ekf.com

[www.ekf.com/s/su3/img/su3\\_blk.pdf](http://www.ekf.com/s/su3/img/su3_blk.pdf)

## Theory of Operation

The SU3-ENSEMBLE is equipped with the Pericom PI7C9X7958 PCI Express® octal UART, which is suitable for asynchronous baud rates up to 15Mbps. All TTL level UART channels are wired to four 2.0mm pitch 2x10 position sockets, each capable to carry one or two transceiver modules by means of a suitable board-to-board stacker or micro ribbon flat cable assembly.

Up to four transceiver modules 1-4 can be populated on a SU3-ENSEMBLE which is provided with a 4HP front panel. These modules must be mounted with their component side down (towards the carrier card PCB).

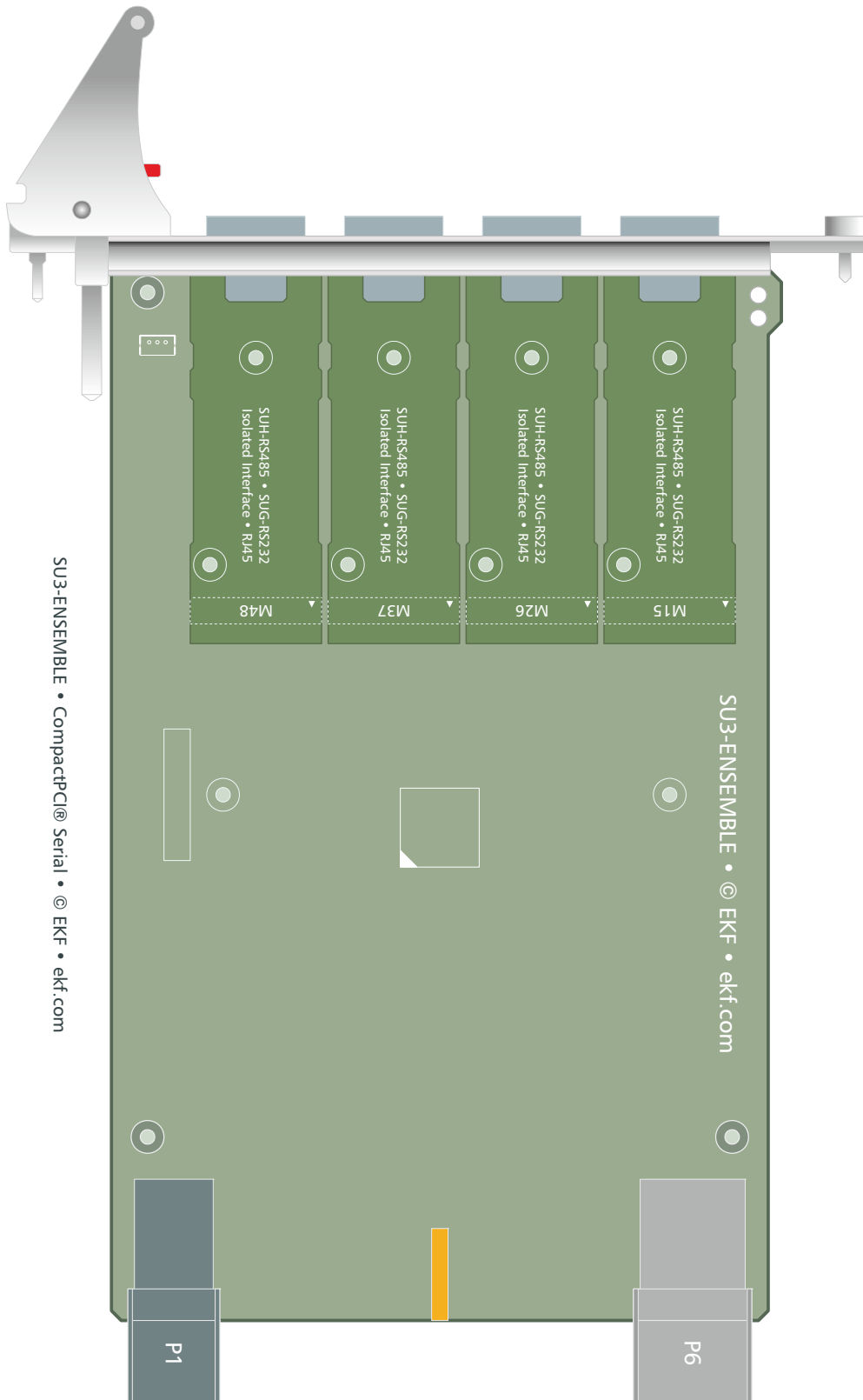
For up to eight transceiver modules, the SU3-ENSEMBLE must be equipped with an 8HP front panel. The additional transceiver modules 5-8 must be mounted congruent on top of the modules 1-4, however with their component side up (modules back-to-back). This method is suitable for 20mm width transceiver module, provided with an RJ45 or Micro-D front panel connector.

Transceiver modules with D-Sub front panel connector however exhibit a width of 31mm, due to the D-Sub connector dimensions. Hence, a flat cable assembly will be in use for attachment of D-Sub modules.

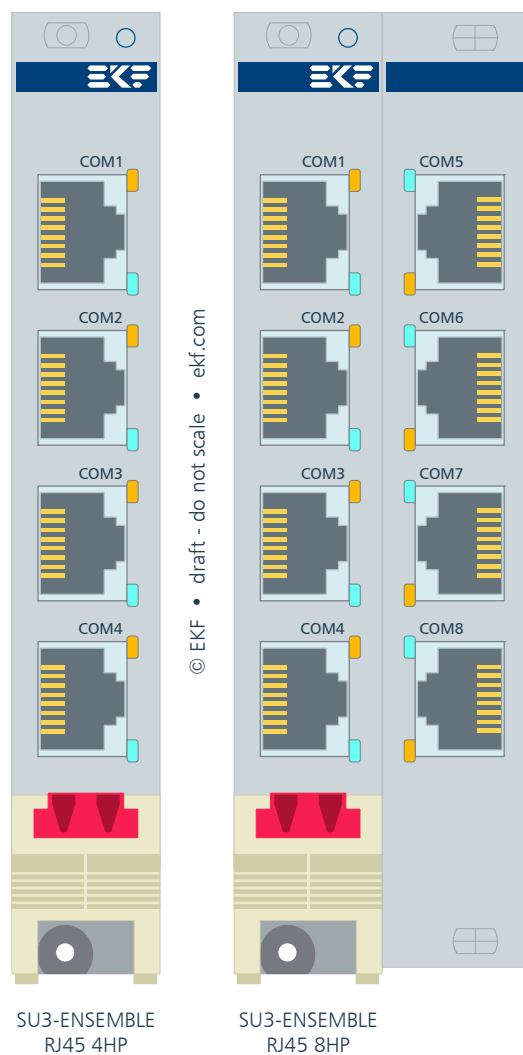




Component Orientation

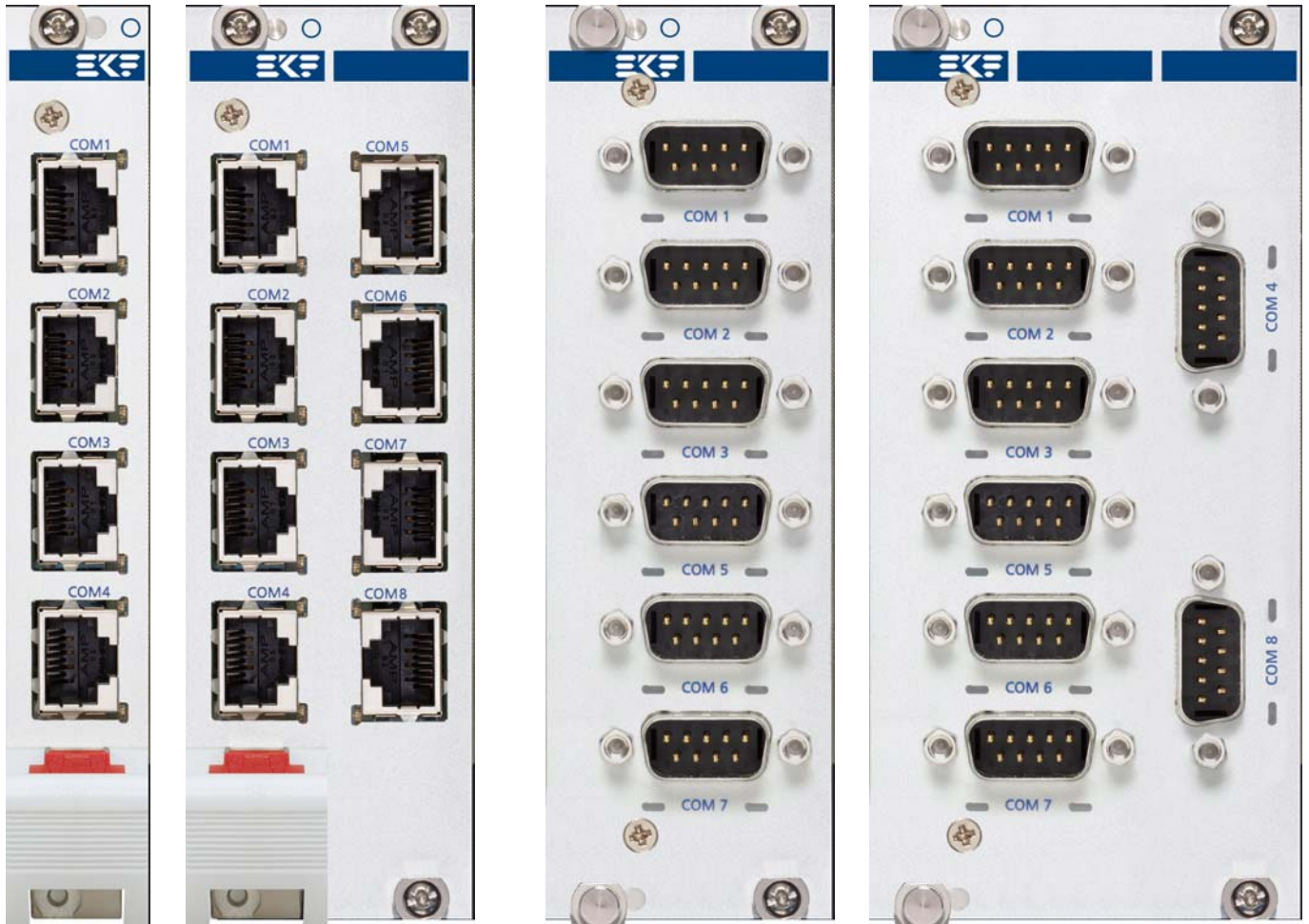


Front Panel



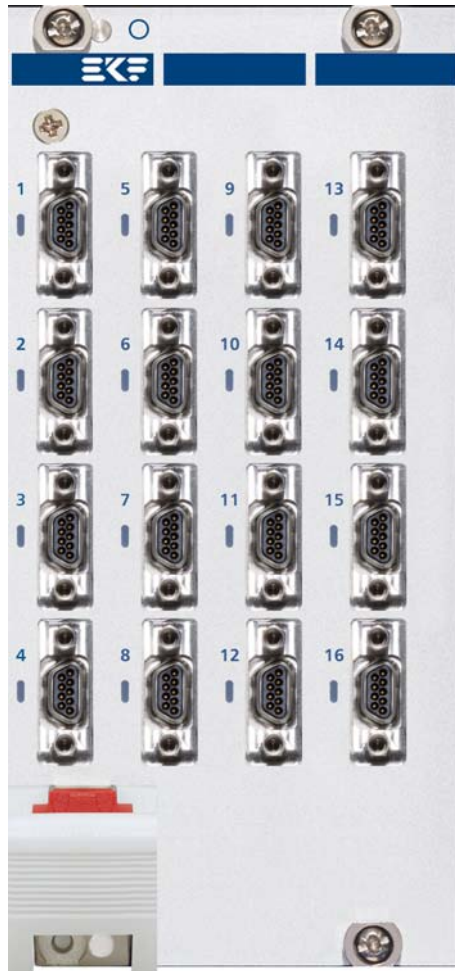
F/P shown for 4x/8x modules w. RJ45 connector

triple color LEDs assigned to each connector/port  
for detailed description please refer to the SUE-SUJ module documentation



Typical front front panels 4/8/12HP

Any combination and count up to eight of SUE - SUJ modules can be realized on customers request



12HP Front Panel w. 16 x Micro-D (Assembly w. 2 x SU3-ENSEMBLE)

## Module Overview

| Transceiver Modules Available |              |              |                |
|-------------------------------|--------------|--------------|----------------|
| Front Connector               | Isolated I/F | Module Width | Ordering No.   |
| D-Sub 9-pos.                  | EIA-232      | 31mm         | SUI-xxxx-RS232 |
| D-Sub 9-pos.                  | EIA-485      | 31mm         | SUJ-xxxx-RS485 |
| Micro-D 9-pos.                | EIA-232      | 20mm         | SUE-xxxx-RS232 |
| Micro-D 9-pos.                | EIA-485      | 20mm         | SUF-xxxx-RS485 |
| RJ45 8-pos.                   | EIA-232      | 20mm         | SUG-xxxx-RS232 |
| RJ45 8-pos.                   | EIA-485      | 20mm         | SUH-xxxx-RS485 |

Modules with 20mm front width will be attached directly to the SU3-ENSEMBLE, which allows up to 4 front panel connectors vertically assigned for a 4HP front panel (8 connectors with 8HP front panel width). D-Sub modules (31mm width) typically require a flat cable attachment, and can be mounted to the front panel either horizontally or vertically grouped.





SUF-RS485 • SUE-RS232 • Micro-D Connector



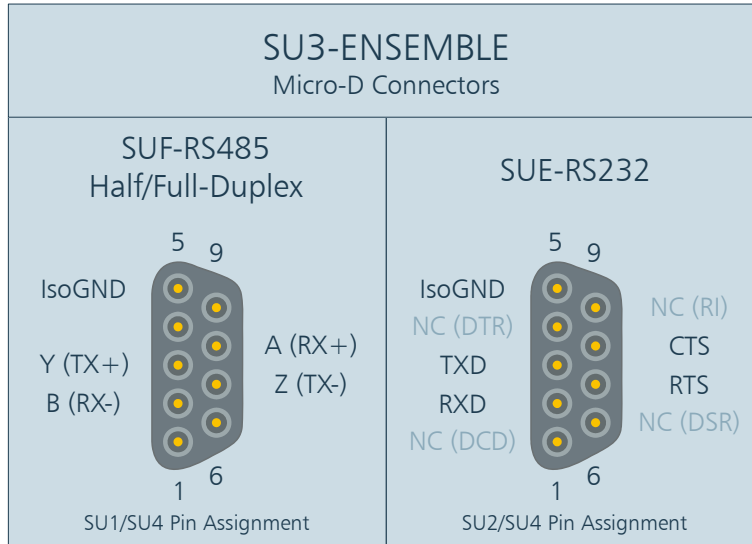
SUH-RS485 • SUG-RS232 • RJ45 Connector



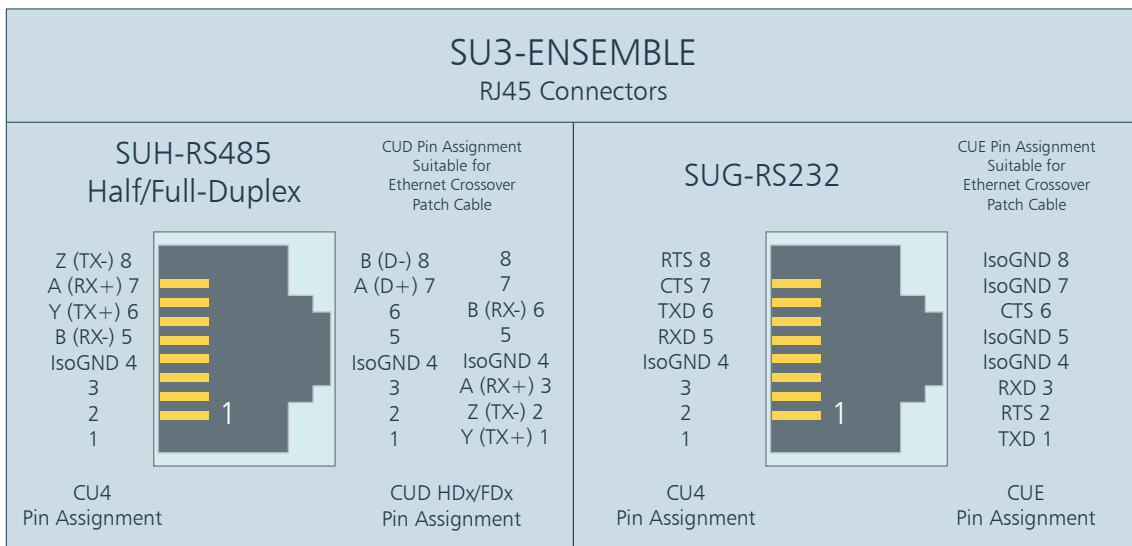
SUJ-RS485 • SUI-RS232 • D-Sub Connector

### Front Panel Connectors

The SU3-ENSEMBLE can be populated with up to 8 transceiver modules with RJ45 and/or Micro-D I/O connectors, for a front panel width of 4HP or 8HP. These modules can be mixed at customers discretion, however not all front panel versions may be available from stock.

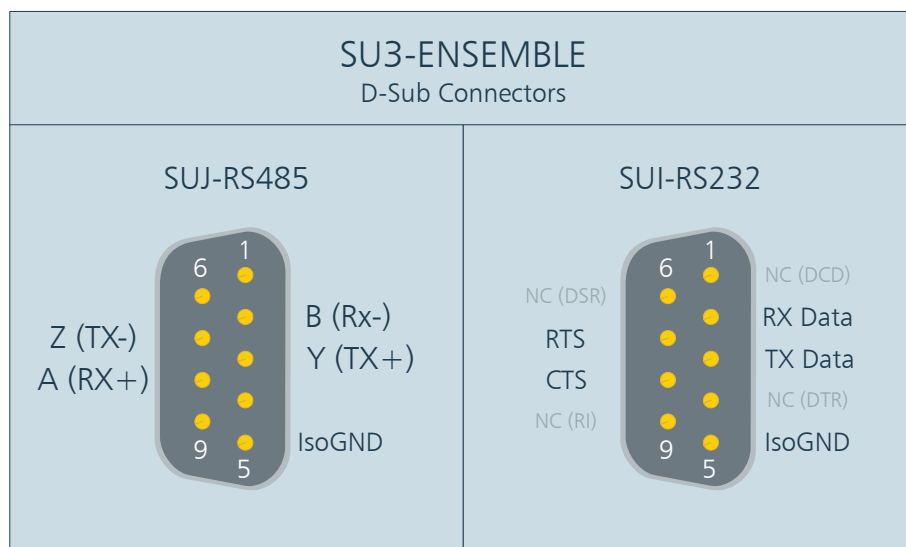


IsoGND is the reference ground for all signals of a particular I/O connector, isolated from the board and system logic GND, and from Shield (panel/chassis), and also from other transceiver modules.



Standard versions of the SU3-ENSEMBLE use the CU4 pin assignment to provide an easy migration path for CU4/SU4 users. Alternate RJ45 pin assignments may be useful for new applications and are available on customer request.

The SU3-ENSEMBLE can be also used with transceiver modules equipped with the popular D-Sub I/O connector. This may require a front panel width of 8HP or 12HP.



Standard versions of the SU3-ENSEMBLE use the CU4 pin assignment to provide an easy migration path for CU4/SU4 users. SUJ was designed to allow any pinout (available on customer request only).




## Sockets M15 - M48

The SU3-ENSEMBLE is equipped with four pass-through sockets, each wired to 2 UART channels, suitable for attachment of up to eight EKF SU\*-series transceiver modules.

A mezzanine transceiver module connects to the the SU3-ENSEMBLE sockets M15-M48 via pin stackers. Two transceiver modules can be attached this way to any one socket. Transceiver modules 1-4 must be mounted with their component side down, facing towards the SU3-ENSEMBLE PCB. Optional transceiver modules 5-8 must be mounted on top of the modules 1-4, but with their component side up (transceiver modules back to back).

As an alternate, transceiver modules can be attached by a flat cable assembly to the sockets M15-M48. This is recommended for D-Sub connector transceiver modules with a width of 31mm.

| M15 - M48 • TTL-Level Serial I/O              |  |            |    |    |            |
|---|--|------------|----|----|------------|
| 2.00mm Socket Strip 2 x 10 (251.1.0210.10.09) |  |            |    |    |            |
| © EKF 251.1.0210.10.09 ekf.com                |  <p>2.00mm Socket</p> | +5V        | 1  | 2  | GND        |
|   |  | RTS# (1-4) | 3  | 4  | RXD (1-4)  |
|   |  | TXD (1-4)  | 5  | 6  | +3.3V      |
|   |  | DE (1-4)   | 7  | 8  | CTS# (1-4) |
|   |  | RE# (1-4)  | 9  | 10 | GND        |
|   |  | RE# (5-8)  | 11 | 12 | GND        |
|   |  | DE (5-8)   | 13 | 14 | CTS# (5-8) |
|   |  | TXD# (5-8) | 15 | 16 | +3.3V      |
|   |  | RTS# (5-8) | 17 | 18 | RXD (5-8)  |
|   |  | +5V        | 19 | 20 | GND        |

Driver enable (DE) and receiver enable (RE#) are required for RS-485 mezzanines configured for half-duplex (PartyLine) operation. The driver enable signal is generated by the on-board Pericom UART in conjunction with the Pericom driver software.

## CompactPCI® Serial Backplane Connector

The SU3-ENSEMBLE is equipped with a PCI Express® based UART (Gen1 single lane). The card can be inserted in any PCIe® enabled peripheral slot of the CompactPCI® Serial backplane for proper operation.

| P1 CompactPCI® Serial Peripheral Slot Backplane Connector |             |             |             |             |             |             |             |             |             |             |             |             |
|---|-------------|-------------|-------------|-------------|-------------|-------------|-------------|-------------|-------------|-------------|-------------|-------------|
| EKF Part #250.3.1206.20.02 • 72 pos. 12x6, 14mm Width     |             |             |             |             |             |             |             |             |             |             |             |             |
| P1  | A           | B           | C           | D           | E           | F           | G           | H           | I           | J           | K           | L           |
| 6   | GND         | PE<br>TX02+ | PE<br>TX02- | GND         | PE<br>RX02+ | PE<br>RX02- | GND         | PE<br>TX03+ | PE<br>TX03- | GND         | PE<br>RX03+ | PE<br>RX03- |
| 5   | PE<br>TX00+ | PE<br>TX00- | GND         | PE<br>RX00+ | PE<br>RX00- | GND         | PE<br>TX01+ | PE<br>TX01- | GND         | PE<br>RX01+ | PE<br>RX01- | GND         |
| 4   | GND         | USB2+       | USB2-       | GND         | PE<br>CLK+  | PE<br>CLK-  | GND         | SATA<br>TX+ | SATA<br>TX- | GND         | SATA<br>RX+ | SATA<br>RX- |
| 3   | USB3<br>TX+ | USB3<br>TX- | GA0         | USB3<br>RX+ | USB3<br>RX- | GA1         | SATA<br>SDI | SATA<br>SDO | GA2         | SATA<br>SCL | SATA<br>SL  | GA3         |
| 2   | GND         | I2C<br>SCL  | I2C<br>SDA  | GND         | RSV         | RSV         | GND         | RST#        | WAKE#       | GND         | PE<br>EN#   | SYS<br>EN#  |
| 1   | +12V        | STBY        | GND         | +12V        | +12V        | GND         | +12V        | +12V        | GND         | +12V        | +12V        | GND         |

pin positions printed white/grey: not connected

## Driver Software

UART drivers are available for download from the EKF website e.g. at <https://www.ekf.com/s/su3/drv/>.

## Related Products



### Related Links

| Related Links  |  |
|--|--|
| SUE-SUJ Isolated Transceiver Modules RS-232 & RS-485 | <a href="http://www.ekf.com/s/sue-suj/sue-suj.html">www.ekf.com/s/sue-suj/sue-suj.html</a> |
| SU1-TWIST Isolated RS-485                            | <a href="http://www.ekf.com/s/su1/su1.html">www.ekf.com/s/su1/su1.html</a>                 |
| SU2-BALLAD Isolated RS-232                           | <a href="http://www.ekf.com/s/su2/su2.html">www.ekf.com/s/su2/su2.html</a>                 |
| SU4-SOPRANO RS-232/232 Selectable                    | <a href="http://www.ekf.com/s/su4/su4.html">www.ekf.com/s/su4/su4.html</a>                 |
| SUA-RIO Rear I/O Isolated RS-232                     | <a href="http://www.ekf.com/s/sua/sua.html">www.ekf.com/s/sua/sua.html</a>                 |
| SUB-RIO Rear I/O Isolated RS-485                     | <a href="http://www.ekf.com/s/sub/sub.html">www.ekf.com/s/sub/sub.html</a>                 |
| CompactPCI® Serial UART Solutions                    | <a href="http://www.ekf.com/s/serial.html#SU">www.ekf.com/s/serial.html#SU</a>             |
| CompactPCI® Classic UART Solutions                   | <a href="http://www.ekf.com/c/ccom/ccom.html">www.ekf.com/c/ccom/ccom.html</a>             |
| XMC Module UART Solutions                            | <a href="http://www.ekf.com/d/dcom.html">www.ekf.com/d/dcom.html</a>                       |

## Ordering Information

### Ordering Information

For popular SU3-ENSEMBLE SKUs please refer to [www.ekf.com/liste/liste\\_21.html#SU3](http://www.ekf.com/liste/liste_21.html#SU3)



SU3-045x-ENSEMBLE w. 4 x RJ45 Transceiver Modules (4HP Front Panel)

| Ordering Number Key<br>SU3-abcd-ENSEMBLE (Availability on Request) |           |  |
|--|-----------|--|
| a  | 0         | EKF standard product   |
| bc   | 45        | 4HP front panel for 4 x RJ45                                   |
|  | 63        | 8HP front panel for 6 x D-Sub                                  |
|  | 83        | 12HP front panel for 8 x D-Sub                                 |
|  | 85        | 8HP front panel for 8 x RJ45                                   |
| d  | 0-4 (6/8) | assembly configuration (number of RS-485 ports, others RS-232) |

## High Performance Embedded

Industrial Computers Made in Germany  
boards. systems. solutions.

Document No. 9229 • 29 July 2020

EKF Elektronik GmbH  
Philipp-Reis-Str. 4 (Haus 1)  
Lilienthalstr. 2 (Haus 2)  
59065 HAMM  
Germany



Phone +49 (0)2381/6890-0  
Fax +49 (0)2381/6890-90  
Internet [www.ekf.com](http://www.ekf.com)  
E-Mail [sales@ekf.com](mailto:sales@ekf.com)