

JUPITER-MM-7500 80-Watt power supplies for rugged computer systems



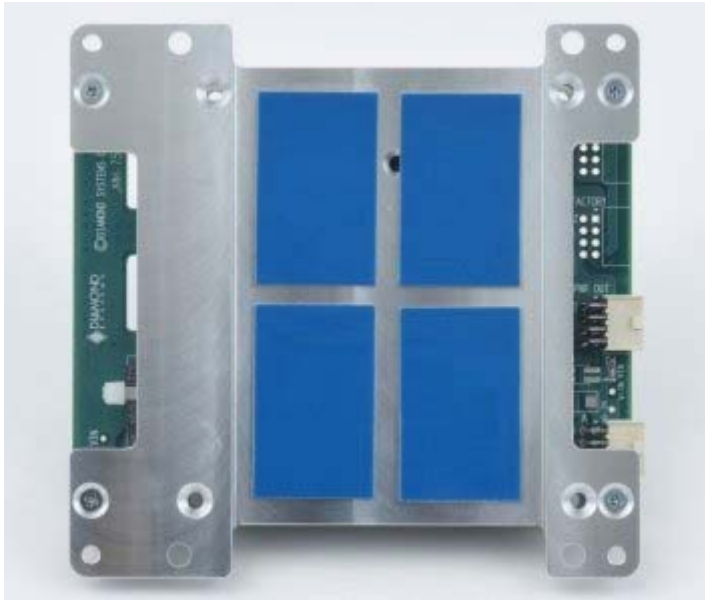
Assembly view with conduction cooling mounting plate

FEATURES

- 80W isolated output power
- 5V, 12V, 15V, and 24VDC output options
- 10-60VDC input range (isolated models)
- Conduction cooling mounting plate with integrated thermal pads for efficient heat dissipation
- MIL-STD-461 rev D, E, and F compliance
- DO-160 rev C, D, E, F, and G compliance
- MIL-STD-704A/D/E/F compliance
- MIL-STD-1275A/B/C/D/E compliance
- Rugged design to withstand high shock and vibration
- PC104 mounting holes enable integration with a PC104 board stack
- 40 to +85 Deg. C operation
- Non-isolated configuration with higher output power capability available; contact Diamond for information



Inner view showing modules and filter capacitors



Mounting plate with thermal pads

The JMM-7500 series offers 80 watts of DC power for rugged computer systems. It contains features needed to ensure rugged and reliable operation, including input-to-output power isolation and MIL-STD-461/704/1275 compliance.

The product uses a series of modules to enable easy configuration to fit the needs of any application. Modules can be included or excluded, or selected from available options, according to need. Modules include input filter (MIL-STD-461), pre-regulator (MIL-STD-704/1275), and power converter.

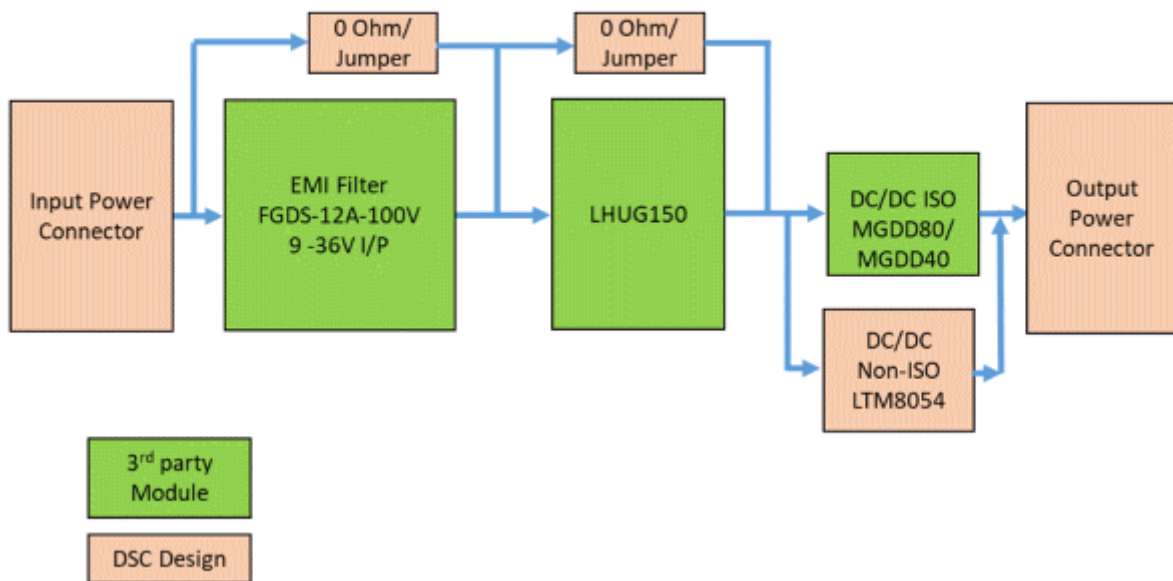
The product construction supports use in rugged environments:

- All components are rated for -40 to +85C.
- Heavy components are fixed in place with epoxy and/or cable ties to withstand shock and vibration
- Input and output connectors are rated for high current and are positive latching
- The 50% thicker PCB supports the heavier components and helps to withstand shock and vibration

JMM-7500 standard output voltage is 15VDC, making it compatible with the widest range of Diamond's computer boards typically used in rugged systems. The output voltage can also be configured for 5V, 12V, and 24V.

JMM-7500 series power supplies include a conduction cooling mounting plate that directly transfers heat to the system enclosure wall. The power supply can be mounted either side by side with the processor board or on the opposing wall, depending on the enclosure design.

JMM-7500 Power Supply Block Diagram



R0.2

Ordering Information

Models and Accessories

Jupiter-MM-7500

available models:

JMM-7512-IF	80W DC/DC Power Supply, 9-36VDC In, 12VDC @ 6.66A Isolated Out, MIL-STD-461 / 704 / 1275 Filters	Available
JMM-7515-IF	80W DC/DC Power Supply, 9-36VDC In, 15VDC @ 5.33A Isolated Out, MIL-STD-461 / 704 / 1275 Filters	Available

Please [login](#) or [signup](#) for an online quote request.

www.diamondsystems.com | [Sunnyvale, California USA](#) | [+1-650-810-2500](tel:+16508102500) | sales@diamondsystems.com