

ComSys-5362 Rugged Mission Computing

PERFORMANCE DRIVEN, COREi 7 MODULAR SYSTEM

DESCRIPTION

The ComSys-5362 is a rugged COTS based mission computer targeted for use in demanding defense installations for avionic, land and sea applications. The feature packed 5362 is driven by a powerful yet power stingy 15W Intel Core™ i7-7600U (Kaby Lake) CPU that provides the bandwidth necessary to support the signal processing requirements of a range of critical applications. In addition to the native CPU I/O, four mini-PCIe expansion sites enable a high level of configurability for multiple combinations of application specific I/O including but not limited to CANbus, MIL-1553, video, ARINC-429, RS-232/422/485, GPS, mSATA storage and gigabit Ethernet expansion. A removable drive bay supports two 2.5" SSDs for fast storage upgrades and multi-terabyte capacities. The small, sturdy, lightweight alumini chassis provides fanless, passive conduction cooling with maximum shelter from the elements including high levels of water and particle ingress protection. ComSys-5362 is ideally suited for use in mobile or stationary defense applications and its low power operation enables use in long duration missions as part of the overall power budget for a given platform.



Features

- Intel Core™ i7-7600U 15W processor with 16GB dual channel 1867/2133 MHz DDR4 memory
- Dual 2.5" SSD removable drive bay. Inquire about optional high insertion / extraction cycle connectors
- 4 x miniPCIe / mSATA expansion sites supporting a wide range of application specific I/O configurations
- I/O configurations may include CANbus, MIL-1553, video, ARINC-429, RS-232/422/485, GPS, Ethernet, mSATA storage and others
- COM Express type 6 module / carrier architecture
- High bandwidth reliable MIL-STD-38999 and Hercules circular connectors
- MIL-STD-810G and MIL-STD-461G qualified for EMI, thermal, shock, vibration, altitude and humidity etc.
- 28 VDC MIL-1275/704 power supply with transient protection

Benefits

- COTS modular construction:
 - Allows a wide mix of I/O combinations
 - Supports "future proofing" as missions evolve
 - Extends platform service life
- Easy storage capacity upgrades
- Fanless operation for higher reliability
- Base plate flange enables secure mounting
- Lightweight design for mobile applications
- Access to Elma's system integration specialists
- Modular/expandable design enables reconfiguration as missions evolve

ComSys-5362 Rugged Mission Computing

PERFORMANCE DRIVEN, COREi 7 MODULAR SYSTEM

SPECIFICATIONS

MIL-STD-704F

Input transient protection in normal and abnormal operating mode (MIL-HDBK-704-8 : LDC102, LDC103, LDC104, LDC105, LDC301)

Emergency operation (MIL-HDBK-704-8 : LDC401)

Grounding and phase reversal protection (MIL-HDBK-704-8 : LDC 602)

Power interruption (MIL-HDBK-704-8 : LDC601)

EMI / EMC

Qualified to MIL-STD-461F

Conducted Emissions, CE102, Power Leads, 10 KHz to 10 MHz, basic curve

Conducted Susceptibility, CS101, Power Leads, 30 KHz to 150 KHz, Curve 2 (28V and below)

Radiated Emissions, RE102, Electric Field, 10 KHz to 18 GHz, Fig RE102-3

Radiated Susceptibility, RS103, Electric Field, 2 MHz to 18 GHz, Aircraft External, 200 Volts per Meter

Physical

Weight: 10 lbs. (4.5 kg)

Dimensions: 93.96mm (3.7") H x 281.5mm (11.1") W x 228mm (9") D

Installation: Base flange mount

Connectors: MIL-DTL-38999 Series III

Cooling: Passive. Conduction cooled with fins.

Enclosure Finish: Corrosion resistant aluminum alloy with black anodized finish per MIL-A-8625, Type II, Class 2.

External I/O Connections (miniPCIe I/O included)

2 x CANbus interface ports

3 x 10/100/1000 Ethernet ports

2 x USB 3.0 and 3 x USB 2.0 ports

1 x eSATA port (optional)

1 x HDMI, 1 x VGA

8 x RS422 / RS485 and 2 x RS232

1 each analog audio stereo input and output

1 x analog microphone input

8 x GPIO

4 each avionics input and output

Power

28VDC nominal input voltage (16.5VDC – 50VDC)

Provides 117W

Over-voltage protection

Reverse polarity protection

Galvanic isolation of 500V

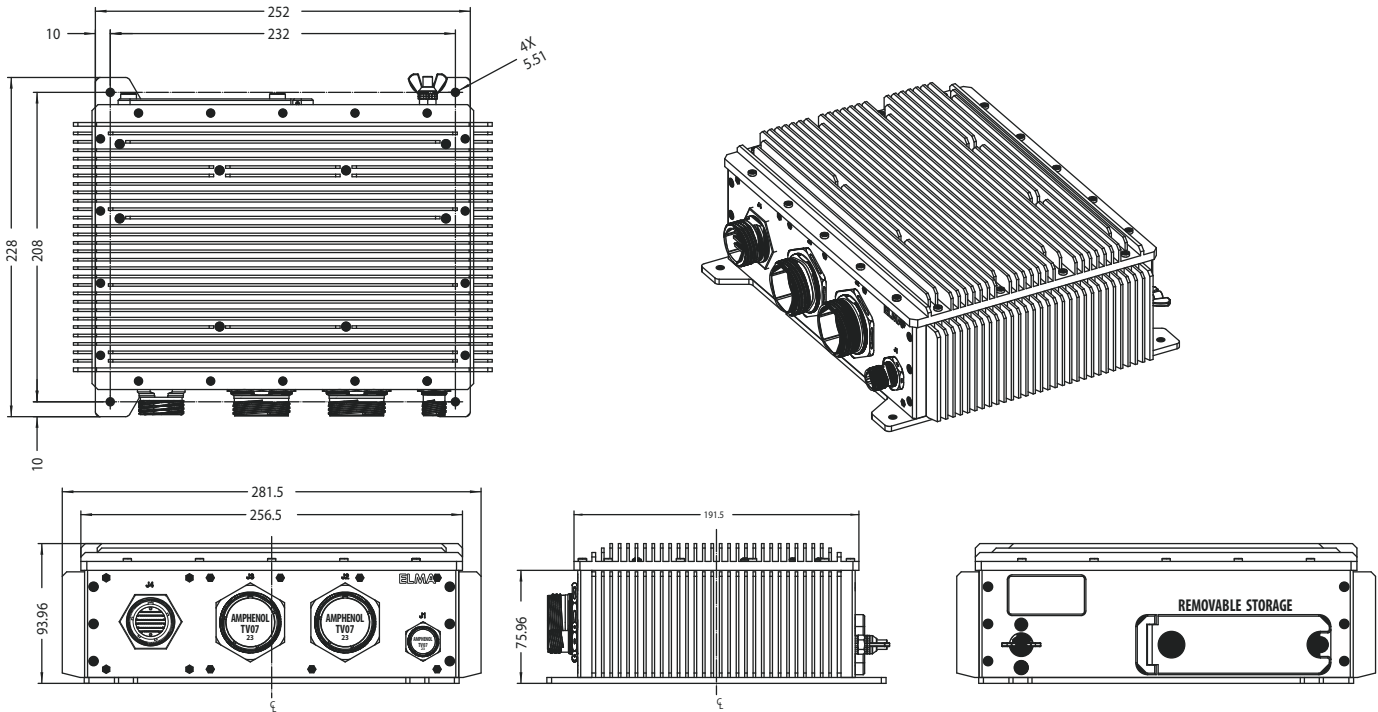
Compliant to:

- MIL-STD-461F
- MIL-STD-704A/E/F
- MIL-STD-1275A/B/D

ComSys-5362 Rugged Mission Computing

PERFORMANCE DRIVEN, COREi 7 MODULAR SYSTEM

DRAWINGS



APPLICATIONS

The ComSys-5362 combines high performance compute capability with a rich set of I/O choices in a rugged chassis designed by the leaders in electronic packaging. The system is intended for use in a wide range of defense applications such as:

- › Mobile ground, sea and airborne mission computing
- › Manned and un-manned fixed and rotary wing aircraft
- › Wide range of fixed and mobile C4ISR equipment in harsh environments
- › Outdoor and underground platforms

RELATED PRODUCTS



- › Complete line of small form factor chassis systems for a wide range of applications and environments
- › Standards-based I/O cards for connectivity configuration
- › Storage solutions to meet most usage requirements across a range of applications.

ComSys-5362 Rugged Mission Computing

PERFORMANCE DRIVEN, COREi 7 MODULAR SYSTEM

ORDER INFORMATION

Description	Model Number
Base ComSys-5362 (no miniPCIe modules) including: Intel Core™ i7-7600U 15W processor with 16GB dual channel 1867/2133 MHz DDR4 memory Removable drive bay for 2 x 2.5" SSDs 4 x miniPCIe COTS expansion sites 2 x 10/100/1000 Ethernet ports 2 x USB 3.0 and 3 x USB 2.0 ports 1 x eSATA port (optional) 1 x HDMI, 1 x VGA 8 x RS422 / RS485 and 2 x RS232 1 each analog audio stereo input and output 1 x analog microphone input 8 x GPIO 4 each avionics input and output	DVS53GGCS320210XXL
ComSys-5362 with CANbus and GigE expansion: Intel Core™ i7-7600U 15W processor with 16GB dual channel 1867/2133 MHz DDR4 memory Removable drive bay for 2 x 2.5" SSDs 1 x miniPCIe COTS expansion sites 6 x 10/100/1000 Ethernet ports 2 x CANbus port 2 x MIL-STD-1553 channels 2 x USB 3.0 and 3 x USB 2.0 ports 1 x eSATA port (optional) 1 x HDMI/DVI/DP++ port and 1 x VGA port 8 x RS422 / RS485 and 2 x RS232 1 each analog audio stereo input and output 1 x analog microphone input 8 x GPIO 4 each avionics input and output	DVS53GGCS3202138CL

Description	Model Number
Optional Cable Assemblies	
J1 Cable - Power Input, 28V Nominal	CAE044227
J2 Cable - Gigabit Ethernet, RS232, Analog Audio Stereo Output, Analog Audio Stereo Input, Analog Microphone input, MIL1553 Interface, CAN Interface, GPIO, Avionics Output, Avionics Input, Power Button	CAE049448
J3 Cable - Gigabit Ethernet, RS422 / RS485, USB2	CAE049491
J4 Cable - eSATA, USB3, HDMI, VGA	CAE049492

© Copyright 2022 by Elma Electronic, Inc. Subject to technical modifications, all data supplied without liability.

Please contact our sales team for more details.

China: +86 21 5866 5908
France: +33 388 56 72 50

Germany: +49 7231 97 34 0
Israel: +972 3 930 50 25

Singapore: +65 6479 8552
Switzerland: +41 44 933 41 11

United Kingdom: +44 1234 838 822
United States: +1 510 656 3400