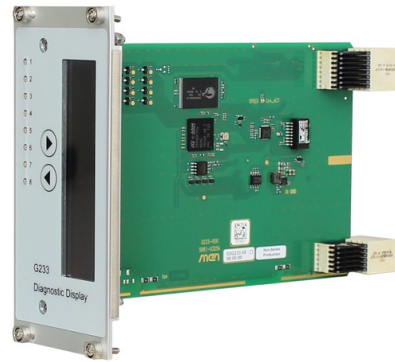


G233

Diagnostic Board with Front Display 3U CompactPCI Serial

- » *OLED mono-chrome display*
- » *256 x 64 pixels resolution*
- » *2 front panel buttons for user interaction*
- » *Ethernet host interface*
- » *Local web browser*
- » *8 user LEDs on the front panel*
- » *-40°C to +85°C screened*
- » *PICMG CPCI-S.0 CompactPCI Serial peripheral card*



Interactive OLED Display

The G233 is a 3U CompactPCI Serial board featuring a 3.12" OLED display for showing diagnostic status and error messages. Two control buttons at the front panel can be used for user interactions, e.g. scrolling or doing set-up. Eight programmable LEDs are provided for user-defined functions.

Simpler Troubleshooting and Less Downtime

The G233 provides an easy to use, interactive diagnostics interface suitable for train maintenance personnel during troubleshooting or performing routine service checks. The displayed information is fully customizable. Any status or fault message visible to the host CPU can be sent to the G233 and shown on the display or represented by the LEDs.

Shorter Development and Integration Time

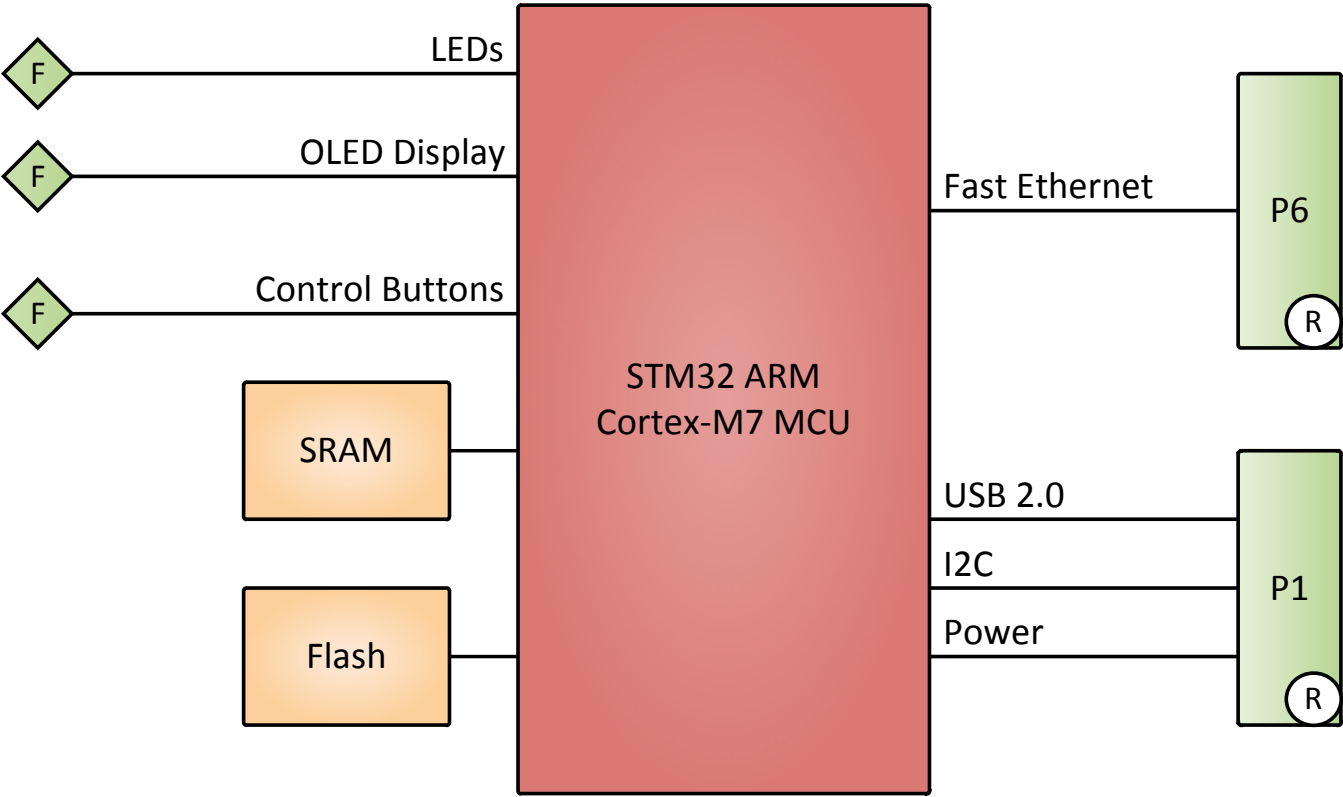
The native onboard web browser communicates via backplane Ethernet interface with a web server running on the host CPU. Only an HTTP web server software is required on the host computer which facilitates integration and set-up.

Full Configuration of Displayed Data and Front Panel LEDs

The displayed data is controlled by writing to an HTML file. Any status or error message available to the CPU can be shown on the front panel.

Suited for Harsh and Mobile Environments

The G233 is designed for -40 to +85°C operating temperature and conformal coated in order to be used also in harsh and mobile environments.



Display

- OLED
- Screen size: 3.12"
- Resolution: 256 x 64 pixels
- Black background
- Emitting Color: Blue

MCU

- STM32 ARM 32-bit Cortex-M7
- Running embedded RTOS with web browser

Memory

- Flash
 - 8 MB
- SRAM
 - 2 MB

Front Interfaces

- Eight user LEDs
- Two control buttons

Backplane Standard

- Compliance with CompactPCI Serial PICMG CPCI-S.0 Specification
- Host connection:
 - One 100BASE-T Ethernet channel
 - One OTG USB channel
 - One I2C channel

Electrical Specifications

- Supply voltage
 - +12 V (-5%/+5%)
- Power consumption
 - 1.75 W typ.

Mechanical Specifications

- Dimensions
 - 3U, 12 HP
- Weight
 - 150 g (model 02G233-00)

Environmental Specifications

- Temperature range (operation)
 - -40°C to +85°C (qualified components), compliant with EN 50155, class TX (model 02G233-00)
- Temperature range (storage): -40°C to +85°C
- Cooling concept
 - Air-cooled, airflow 1.0 m/s min.
- Humidity: EN 50155:2007 (+25/+55 °C, 90-100 %)
- Altitude: -300 m to +3000 m
- Shock: EN 61373:2010
- Vibration: EN 61373:2010
- Conformal coating

Reliability

- MTBF: 3 074 049 h @ 40°C according to IEC/TR 62380 (RDF 2000) (model 02G233-00)

Safety

- Electrical Safety
 - EN 50155:2007
 - EN 50153:2014
 - EN 50124-1:2001 + A1:2003 + A2:2005

EMC

- EN 50121-3-2:2015 (radiated emission)
- EN 50121-3-2:2015 (conducted emission)
- EN 50121-3-2:2015 (EMC immunity)

Software Support

- OS-independent

Germany

MEN Mikro Elektronik GmbH

Neuwieder Straße 3-7
90411 Nuremberg
Phone +49-911-99 33 5-0

sales@men.de
www.men.de

USA

MEN Micro Inc.

860 Penllyn Blue Bell Pike
Blue Bell, PA 19422
Phone 215-542-9575

sales@menmicro.com
www.menmicro.com

France

MEN Mikro Elektronik SAS

18, rue René Cassin
ZA de la Châtelaine
74240 Gaillard
Phone +33-450-955-312

sales@men-france.fr
www.men-france.fr

China

MEN Mikro Elektronik (Shanghai) Co., Ltd.

Room 808-809, Jiaxing Mansion, No. 877 Dongfang Road
200122 Shanghai
Phone +86-21-5058-0961

sales@men-china.cn
www.men-china.cn

Up-to-date information, documentation and ordering information:
www.men.de/products/g233/

The date of issue stated in this data sheet refers to the Technical Data only. Changes in ordering information given herein do not affect the date of issue. All brand or product names are trademarks or registered trademarks of their respective holders.

MEN is not responsible for the results of any actions taken on the basis of information in the publication, nor for any error in or omission from the publication.

MEN expressly disclaims all and any liability and responsibility to any person, whether a reader of the publication or not, in respect of anything, and of the consequences of anything, done or omitted to be done by any such person in reliance, whether wholly or partially, on the whole or any part of the contents of the publication.

The correct function of MEN products in mission-critical and life-critical applications is limited to the environmental specification given for each product in the technical user manual. The correct function of MEN products under extended environmental conditions is limited to the individual requirement specification and subsequent validation documents for each product for the applicable use case and has to be agreed upon in writing by MEN and the customer. Should the customer purchase or use MEN products for any unintended or unauthorized application, the customer shall indemnify and hold MEN and its officers, employees, subsidiaries, affiliates, and distributors harmless against all claims, costs, damages, and expenses, and reasonable attorney fees arising out of, directly or indirectly, any claim or personal injury or death associated with such unintended or unauthorized use, even if such claim alleges that MEN was negligent regarding the design or manufacture of the part.

In no case is MEN liable for the correct function of the technical installation where MEN products are a part of.

© 2017 MEN Holding