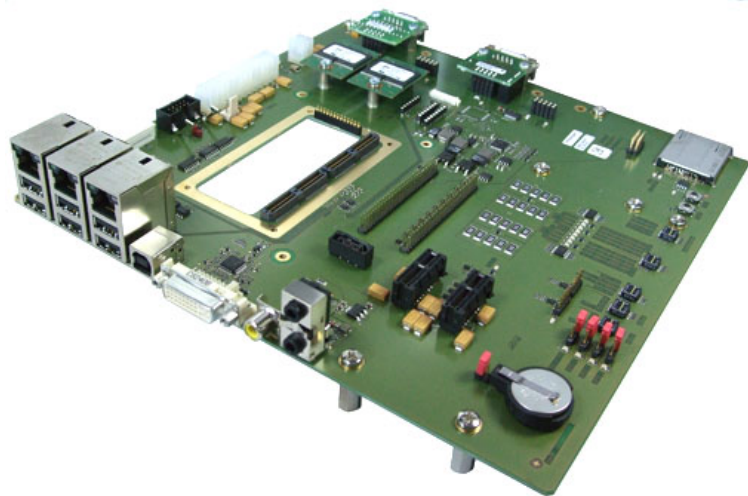


XC4 – ESMini™ COM Evaluation Carrier Board

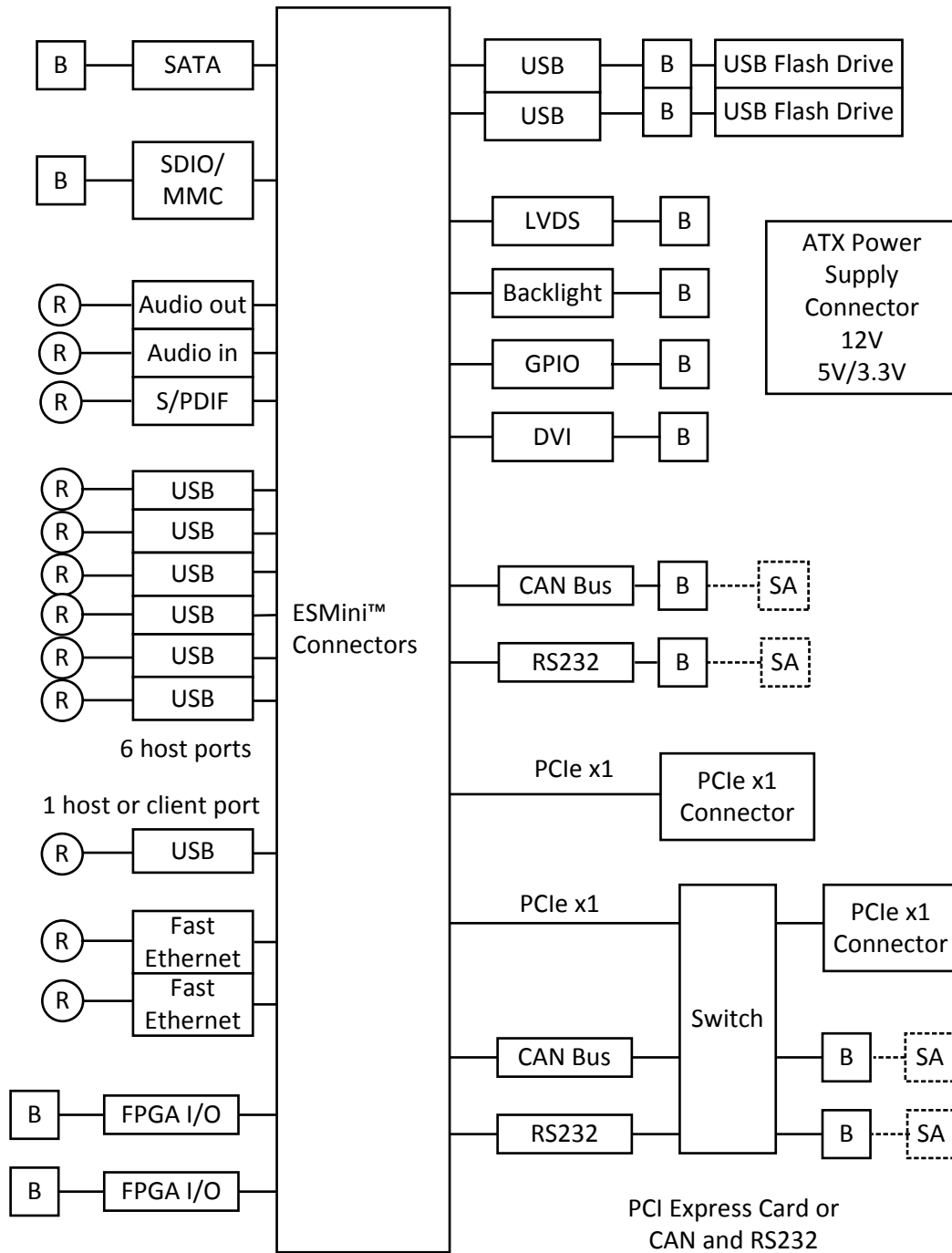
- **MicroATX form factor**
- **1 ESMini™ computer-on-module slot**
- **2 PCI Express® x1 connectors**
- **2 GB USB Flash**
- **1 SATA**
- **LVDS, DVI**
- **HD audio in and out**
- **5 USB 2.0 Master, 1 USB 2.0 Client**
- **2 Fast Ethernet**
- **2x CAN bus, 2x RS232 via SA-Adapters™**
- **120 FPGA signals from ESMini™**



The XC4 is an evaluation and development platform that can be used together with any type of ESMini™ module. It provides physical interfaces and connectors for nearly all of the modern serial standard I/Os routable from the ESMini™ connectors to the carrier board. The XC4 comes with one ESMini™ slot and two PCI Express® card slots. The functionality of all

connectors depends on the ESMini™ module used on the XC4. It corresponds to the standard microATX form factor and can therefore operate in a PC system. Additional 4 GB of USB-driven Flash disk for application storage complement the memory configuration that is already available on the ESMini™ module. For a first evaluation of the functions and performance of the ESMini™ module of choice we strongly recommend to use the XC4. Further useful accessories include an external PSU.

Diagram



Legend

(R) Rear I/O connector (SA) SA-Adapter

(B) Onboard connector

Technical Data

ESMini™ Carrier Card	<ul style="list-style-type: none"> ■ One ESMini™ slot ■ P1 and P2 assembled
Memory	<ul style="list-style-type: none"> ■ One SATA connector ■ Two 2GB USB Flash disks included in the delivery <ul style="list-style-type: none"> □ Via two USB onboard connectors ■ One SDIO/MMC slot
Graphics	<ul style="list-style-type: none"> ■ One DVI rear connector ■ One LVDS ZIF connector <ul style="list-style-type: none"> □ For direct connection of an LVDS display ■ One LVDS backlight 10-pin connector
I/O	<ul style="list-style-type: none"> ■ Six USB 2.0 host connectors, one USB 2.0 client connector <ul style="list-style-type: none"> □ Only five host connectors can be used when the client connector is used ■ 10/100Base-T Ethernet <ul style="list-style-type: none"> □ Two interfaces on RJ45 connectors ■ HD Audio <ul style="list-style-type: none"> □ Audio in □ Audio out □ S/PDIF out ■ RS232 <ul style="list-style-type: none"> □ Two onboard connectors □ Physical interface via SA-Adapters™ □ Only one if a second PCI Express® card is plugged ■ CAN Bus <ul style="list-style-type: none"> □ Two onboard connectors □ Physical interface via SA-Adapters™ □ Only one if a second PCI Express® card is plugged ■ GPIO <ul style="list-style-type: none"> □ 120 FPGA signals from ESMini™ on two 60-pin connectors □ Four user-defined GPIO/LED signals on four 3-pin headers
PCI Express®	<ul style="list-style-type: none"> ■ Two PCIe® x1 connectors
Miscellaneous	<ul style="list-style-type: none"> ■ Battery holder ■ Power button ■ Reset button
Electrical Specifications	<ul style="list-style-type: none"> ■ Supply voltage/power consumption: <ul style="list-style-type: none"> □ ATX standard power supply via 24-pin connector and 4-pin connector ■ MTBF: tbd @ 40°C according to IEC/TR 62380 (RDF 2000)
Mechanical Specifications	<ul style="list-style-type: none"> ■ Dimensions: 244 mm x 244 mm (conforming to microATX standard) ■ Weight: 474 g (without ESMini™ module)
Environmental Specifications	<ul style="list-style-type: none"> ■ Temperature range (operation): <ul style="list-style-type: none"> □ 0..+60°C □ Airflow depending on ESMini™ module ■ Temperature range (storage): -40..+85°C ■ Relative humidity (operation): max. 95% non-condensing ■ Relative humidity (storage): max. 95% non-condensing ■ Altitude: -300 m to +2,000 m ■ Bump: 10 g/16 ms ■ Conformal coating on request
Safety	<ul style="list-style-type: none"> ■ PCB manufactured with a flammability rating of 94V-0 by UL recognized manufacturers

Ordering Information

Standard XC4 Models	08XC04-00	Evaluation and development board for all ESMini™ modules, 0..+60°C, incl. 2 GB USB Flash Disk and SA-Adapters™ for 1 RS232 and 1 CAN bus
Related Hardware	15MM01-00	Intel® Atom™ Z510, 1.1 GHz, 512MB RAM, 1 Fast Ethernet, 1 CAN, -40..+85°C Tcase screened
	15MM01-01	Intel® Atom™ Z530, 1.6 GHz, 1GB RAM, 2 Fast Ethernet, 2 CAN, -25..+85°C Tcase screened
	15MM02-00	Intel® Atom™ E680T, 1.6 GHz, 1GB DDR2 DRAM, 2 Gigabit Ethernet, 1 CAN, 4 COM, with J1 and J2, -40..+85°C with qualified components, with cover and frame
	15MM50-00	MPC5123, 400 MHz, 256 MB DRAM, 32 MB Flash, 128 KB FRAM, 1 Fast Ethernet, 4 CAN bus, 2 COM, 6 USB, 1 SDHC, display interface, AC'97, 6 PSC, -40..+85°C screened
SA-Adapters™	08SA01-00	RS232, not optically isolated, 0..+60°C
	08SA02-00	RS422/485, half duplex, optically isolated, 0..+60°C
	08SA02-01	RS422/485, full duplex, optically isolated, 0..+60°C
	08SA03-00	1 RS232, optically isolated, 0..+60°C
	08SA08-00	CAN ISO high-speed, optically isolated, 0..+60°C
	08SA22-00	IBIS master SA-Adapter™, -40..+85°C screened
	08SA22-01	IBIS slave SA-Adapter™, -40..+85°C screened
	08SA25-00	GPS receiver, isolated, -40..+85°C screened
08SA26-00	RS422 with 15-pin D-Sub connector, with handshake signals (RTS, CTS, DCD, DTR), coated, -40..+85°C screened	
Miscellaneous Accessories	0712-0019	Standard ATX PSU, 350 W, 0..+40°C
Documentation	20XC04-ER	XC4 Errata
	20XC04-00	XC4 User Manual

Contact Information

Germany

MEN Mikro Elektronik GmbH
Neuwieder Straße 3-7
90411 Nuremberg
Phone +49-911-99 33 5-0
Fax +49-911-99 33 5-901

info@men.de
www.men.de

France

MEN Mikro Elektronik SA
18, rue René Cassin
ZA de la Châtelaine
74240 Gaillard
Phone +33 (0) 450-955-312
Fax +33 (0) 450-955-211

info@men-france.fr
www.men-france.fr

USA

MEN Micro Inc.
860 Penllyn Blue Bell Pike
Blue Bell, PA 19422
Phone (215) 542-9575
Fax (215) 542-9577

sales@menmicro.com
www.menmicro.com

The date of issue stated in this data sheet refers to the Technical Data only. Changes in ordering information given herein do not affect the date of issue. All brand or product names are trademarks or registered trademarks of their respective holders.

MEN is not responsible for the results of any actions taken on the basis of information in the publication, nor for any error in or omission from the publication.

MEN expressly disclaims all and any liability and responsibility to any person, whether a reader of the publication or not, in respect of anything, and of the consequences of anything, done or omitted to be done by any such person in reliance, whether wholly or partially, on the whole or any part of the contents of the publication.

The correct function of MEN products in mission-critical and life-critical applications is limited to the environmental specification given for each product in the technical user manual. The correct function of MEN products under extended environmental conditions is limited to the individual requirement specification and subsequent validation documents for each product for the applicable use case and has to be agreed upon in writing by MEN and the customer. Should the customer purchase or use MEN products for any unintended or unauthorized application, the customer shall indemnify and hold MEN and its officers, employees, subsidiaries, affiliates, and distributors harmless against all claims, costs, damages, and expenses, and reasonable attorney fees arising out of, directly or indirectly, any claim or personal injury or death associated with such unintended or unauthorized use, even if such claim alleges that MEN was negligent regarding the design or manufacture of the part.

In no case is MEN liable for the correct function of the technical installation where MEN products are a part of.

Copyright © 2014 MEN Mikro Elektronik GmbH. All rights reserved.