

CT14 – 6U CompactPCI® Transition Module for D602

- 6U / 80 mm standard format
- 1 RS232 interface
- DEX (6x UART)
- BMCX signals
- AFDX® signals
- Debug signals
- PMC I/O
- -40 to +85°C qualified



The CT14 is a 6U CompactPCI® transition module for use in combination with MEN's D602 single-board computer.

It is plugged onto the CompactPCI® backplane system slot from the rear side and leads the rear-panel serial I/O signals to standard connectors.

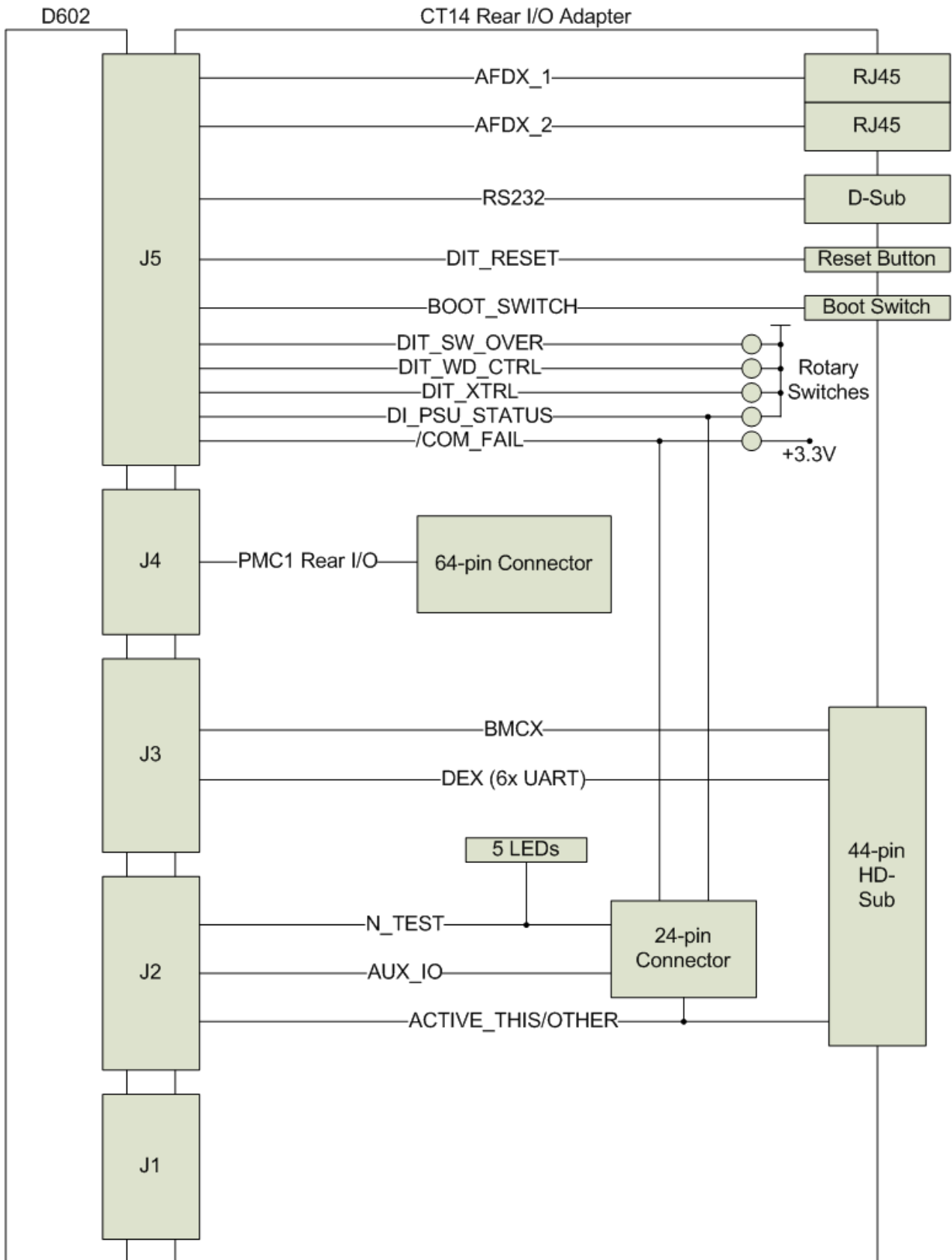
The signals are one RS232 UART, various signals from the two PMC slots (standard rear I/O from PMC1, AFDX® from PMC2), the necessary signals for inter-

board communication when connecting a second D602 (BMCX, DEX (6x UART), ACTIVE_THIS/OTHER) and various debug signals (/COM_FAIL, DI_PSU_STATUS, N_TEST and the AUX_IO signals).

It also offers a reset button, a boot switch, five LEDs for the N_TEST signals from the D602's North FPGA and five rotary switches allowing the /COM_FAIL, DIT_XTRL, DIT_SW_OVER, DIT_WDCTRL and DI_PSU_STATUS signals to be pulled low with an option to connect /COM_FAIL to +3.3V.

The board is designed for an operating temperature from -40 to +85°C with qualified components.

Diagram



Technical Data

Peripheral Connections	<ul style="list-style-type: none"> ■ RS232 UART interface <ul style="list-style-type: none"> □ 9-pin D-Sub connector ■ Inter-board connection to other D602 <ul style="list-style-type: none"> □ BMCX signals □ DEX (6x UART) signals □ ACTIVE_THIS/OTHER signal □ All via 44-pin HD-Sub connector ■ Rear I/O signals from PMC1 <ul style="list-style-type: none"> □ Via 64-pin connector ■ AFDX[®] signals from PMC2 <ul style="list-style-type: none"> □ 2 RJ45 connectors ■ Miscellaneous signals <ul style="list-style-type: none"> □ N_TEST □ AUX_IO □ DI_PSU_STATUS □ /COM_FAIL □ ACTIVE_THIS/OTHER signal □ All via 24-pin connector
Switches/buttons	<ul style="list-style-type: none"> ■ 5 rotary switches the following allowing signals to be pulled low: <ul style="list-style-type: none"> □ DIT_SW_OVER □ DIT_WD_CTRL □ DIT_XTRL □ DI_PSU_STATUS □ /COM_FAIL (connection to +3.3V possible) ■ Boot switch <ul style="list-style-type: none"> □ Flip switch to choose between boot images ■ Reset button
LEDs	<ul style="list-style-type: none"> ■ N_TEST signal LEDs <ul style="list-style-type: none"> □ 5 LEDs on PCB
Mechanical Specifications	<ul style="list-style-type: none"> ■ Dimensions: 233,35x80 mm conforming to CompactPCI[®] specification for 6U boards ■ Weight: 186 g
Environmental Specifications	<ul style="list-style-type: none"> ■ Temperature range (operation): <ul style="list-style-type: none"> □ -40..+85°C (qualified components) □ Airflow: min. 1.5m/s ■ Temperature range (storage): -40..+85°C ■ Relative humidity (operation): max. 95% non-condensing ■ Relative humidity (storage): max. 95% non-condensing ■ Altitude: -300m to + 20,000m ■ Shock: 15g/11ms ■ Bump: 10g/16ms ■ Vibration (sinusoidal): 1g/10..150Hz ■ Conformal coating on request
MTBF	<ul style="list-style-type: none"> ■ tbd @ 40°C according to IEC/TR 62380 (RDF 2000)
Safety	<ul style="list-style-type: none"> ■ PCB manufactured with a flammability rating of 94V-0 by UL recognized manufacturers
EMC	<ul style="list-style-type: none"> ■ Conforming to EN 55022 (radio disturbance), IEC1000-4-2 (ESD) and IEC1000-4-4 (burst)

Ordering Information

Standard CT14 Models	08CT14-01	Rear I/O adapter for D602 with front panel: RS232, PMC RIO, DEX-UART, BMC and other functions; -40..+85°C with qualified components
Related Hardware	02D602-03	3x PowerPC® 750CL, 1 GHz, 3x 512 MB DRAM, 2x 256 MB Flash, 1 MB FRAM, 2 standard, PMC slots, convection cooling (airflow 2 m/s), -40 to +50°C with qualified components
Documentation	More detailed information on the CT14 is included in the appendix of the D602 User Manual. Please contact us to request a copy.	

Contact Information

Germany

MEN Mikro Elektronik GmbH
Neuwieder Straße 3-7
90411 Nuremberg
Phone +49-911-99 33 5-0
Fax +49-911-99 33 5-901

info@men.de
www.men.de

France

MEN Mikro Elektronik SA
18, rue René Cassin
ZA de la Châtelaine
74240 Gaillard
Phone +33 (0) 450-955-312
Fax +33 (0) 450-955-211

info@men-france.fr
www.men-france.fr

USA

MEN Micro Inc.
860 Penllyn Blue Bell Pike
Blue Bell, PA 19422
Phone (215) 542-9575
Fax (215) 542-9577

sales@menmicro.com
www.menmicro.com

The date of issue stated in this data sheet refers to the Technical Data only. Changes in ordering information given herein do not affect the date of issue. All brand or product names are trademarks or registered trademarks of their respective holders.

MEN is not responsible for the results of any actions taken on the basis of information in the publication, nor for any error in or omission from the publication.

MEN expressly disclaims all and any liability and responsibility to any person, whether a reader of the publication or not, in respect of anything, and of the consequences of anything, done or omitted to be done by any such person in reliance, whether wholly or partially, on the whole or any part of the contents of the publication.

The correct function of MEN products in mission-critical and life-critical applications is limited to the environmental specification given for each product in the technical user manual. The correct function of MEN products under extended environmental conditions is limited to the individual requirement specification and subsequent validation documents for each product for the applicable use case and has to be agreed upon in writing by MEN and the customer. Should the customer purchase or use MEN products for any unintended or unauthorized application, the customer shall indemnify and hold MEN and its officers, employees, subsidiaries, affiliates, and distributors harmless against all claims, costs, damages, and expenses, and reasonable attorney fees arising out of, directly or indirectly, any claim or personal injury or death associated with such unintended or unauthorized use, even if such claim alleges that MEN was negligent regarding the design or manufacture of the part.

In no case is MEN liable for the correct function of the technical installation where MEN products are a part of.

Copyright © 2013 MEN Mikro Elektronik GmbH. All rights reserved.