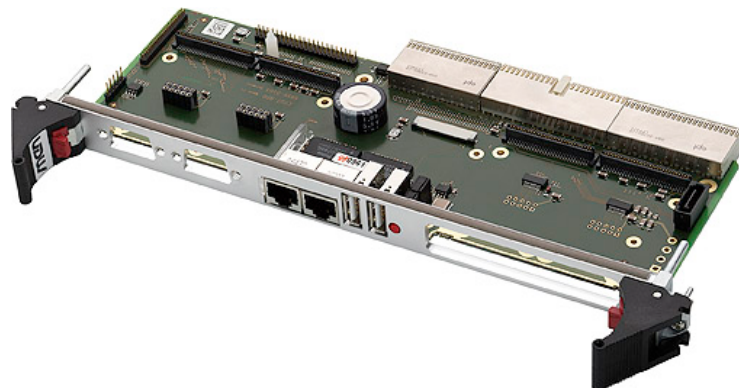


CT7 – 6U CompactPCI® Rear I/O Transition Module for D9

- **6U / 80 mm standard format**
- **2 Gigabit Ethernet**
- **2 USB 2.0**
- **2 UARTs**
- **Up to 2 PIM slots**
- **CompactFlash®**
- **External battery**

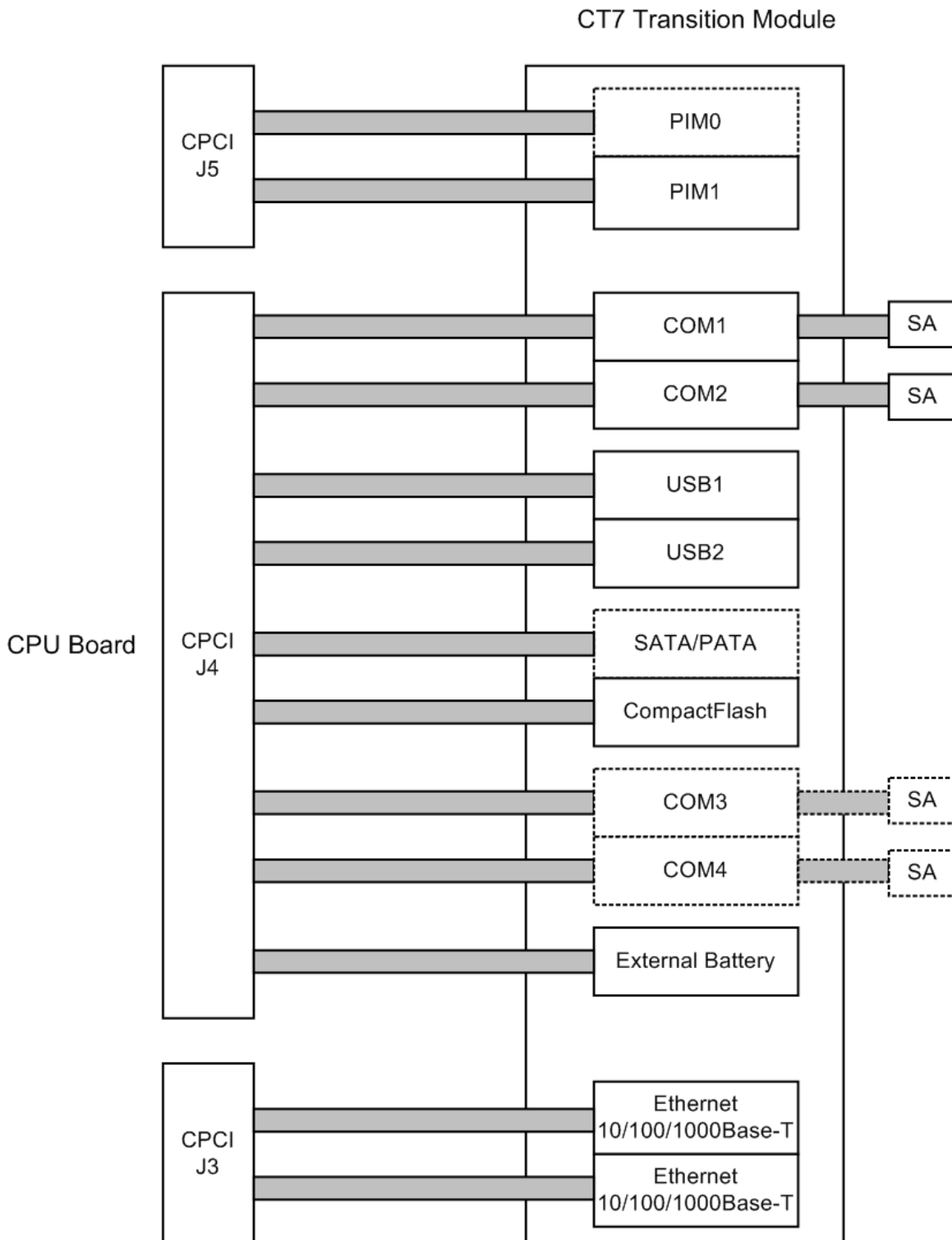


The CT7 is a 6U CompactPCI® rear I/O transition module for use in combination with MEN's 6U Intel®-based CompactPCI® single-board computers. It is plugged onto J3/J4/J5 of the CompactPCI® backplane system slot from the rear side and leads the

rear I/O signals to standard connectors. Consequently, standard cables can be used to connect drives and other peripherals. If a hard disk is mounted (instead of a CompactFlash® card), the 4HP transition module extends to 8HP, doing then also without one of the two PIM slots.

Diagram

SA SA-Adapter



Technical Data

Peripheral Connections	<ul style="list-style-type: none">■ 1 PIM interface■ 2 USB■ 2 Gigabit Ethernet■ 2 COMs■ 1 port for CompactFlash®
Miscellaneous	<ul style="list-style-type: none">■ External battery■ Reset button■ 4 user-defined LEDs (FPGA-controlled)
Electrical Specifications	<ul style="list-style-type: none">■ MTBF: 12,666,280h @ 40°C according to IEC/TR 62380 (RDF 2000)
Mechanical Specifications	<ul style="list-style-type: none">■ Dimensions: 6U width, 80mm depth, 4HP height (8HP with 2.5" hard disk)■ Conforming to CompactPCI® Specification 2.0 R2.1 for rear panel I/O boards■ Conforming to IEEE1101.11, draft 5.0■ Weight: 246g (with two SA-Adapters™)
Environmental Specifications	<ul style="list-style-type: none">■ Temperature range (operation):<ul style="list-style-type: none">□ 0..+60°C□ Airflow: min. 10m³/h■ Temperature range (storage): -40..+85°C■ Relative humidity (operation): max. 95% non-condensing■ Relative humidity (storage): max. 95% non-condensing■ Altitude: -300m to + 3,000m■ Shock: 15g/11ms■ Bump: 10g/16ms■ Vibration (sinusoidal): 2g/10..150Hz■ Conformal coating on request
Safety	<ul style="list-style-type: none">■ PCB manufactured with a flammability rating of 94V-0 by UL recognized manufacturers
EMC	<ul style="list-style-type: none">■ Tested according to EN 55022 (radio disturbance), IEC1000-4-2 (ESD) and IEC1000-4-4 (burst)

Configuration & Options

Standard Configurations

Article No.	Ethernet	USB	COMs	PIM Slots	CFlash Slot	Harddisk Slot	Operation Temp.
08CT07-00	2	2	2	1	Yes	No	0..+60°C

Options

Peripheral Connections	
	<ul style="list-style-type: none"> ■ Two PIM interfaces <ul style="list-style-type: none"> □ Second PIM instead of COM1/COM2 and CompactFlash® ■ 1 PATA or SATA hard disk (instead of one PIM) ■ Up to four COMs <ul style="list-style-type: none"> □ COM3/COM4 instead of PIM or SATA/PATA hard disk

Please note that some of these options may only be available for large volumes. Please ask our sales staff for more information.

Ordering Information

Standard CT7 Models	08CT07-00	CompactPCI® rear I/O transition module 6U/80mm, 2 Gb Ethernet, 2 USB 2.0, 2 COMs, 1 PIM slot, 1 CompactFlash® slot, connecting to D9, 0..+60°C
SA-Adapters™		You can find a more detailed overview of possible carrier board/SA-Adapter™ combinations along with software support in our option matrix (PDF) .
	08SA01-00	RS232, not optically isolated, 0..+60°C
	08SA02-00	RS422/485, half duplex, optically isolated, 0..+60°C
	08SA02-01	RS422/485, full duplex, optically isolated, 0..+60°C
	08SA02-07	RS422/485, full duplex, optically isolated, -40..+85°C screened
	08SA03-00	1 RS232, optically isolated, 0..+60°C
	08SA03-01	1 RS232, optically isolated, -40..+85°C screened
Documentation	20CT07-00	CT7 User Manual

Contact Information

Germany

MEN Mikro Elektronik GmbH
Neuwieder Straße 3-7
90411 Nuremberg
Phone +49-911-99 33 5-0
Fax +49-911-99 33 5-901

info@men.de
www.men.de

France

MEN Mikro Elektronik SA
18, rue René Cassin
ZA de la Châtelaine
74240 Gaillard
Phone +33 (0) 450-955-312
Fax +33 (0) 450-955-211

info@men-france.fr
www.men-france.fr

USA

MEN Micro Inc.
860 Penllyn Blue Bell Pike
Blue Bell, PA 19422
Phone (215) 542-9575
Fax (215) 542-9577

sales@menmicro.com
www.menmicro.com

The date of issue stated in this data sheet refers to the Technical Data only. Changes in ordering information given herein do not affect the date of issue. All brand or product names are trademarks or registered trademarks of their respective holders.

MEN is not responsible for the results of any actions taken on the basis of information in the publication, nor for any error in or omission from the publication.

MEN expressly disclaims all and any liability and responsibility to any person, whether a reader of the publication or not, in respect of anything, and of the consequences of anything, done or omitted to be done by any such person in reliance, whether wholly or partially, on the whole or any part of the contents of the publication.

The correct function of MEN products in mission-critical and life-critical applications is limited to the environmental specification given for each product in the technical user manual. The correct function of MEN products under extended environmental conditions is limited to the individual requirement specification and subsequent validation documents for each product for the applicable use case and has to be agreed upon in writing by MEN and the customer. Should the customer purchase or use MEN products for any unintended or unauthorized application, the customer shall indemnify and hold MEN and its officers, employees, subsidiaries, affiliates, and distributors harmless against all claims, costs, damages, and expenses, and reasonable attorney fees arising out of, directly or indirectly, any claim or personal injury or death associated with such unintended or unauthorized use, even if such claim alleges that MEN was negligent regarding the design or manufacture of the part.

In no case is MEN liable for the correct function of the technical installation where MEN products are a part of.

Copyright © 2013 MEN Mikro Elektronik GmbH. All rights reserved.