

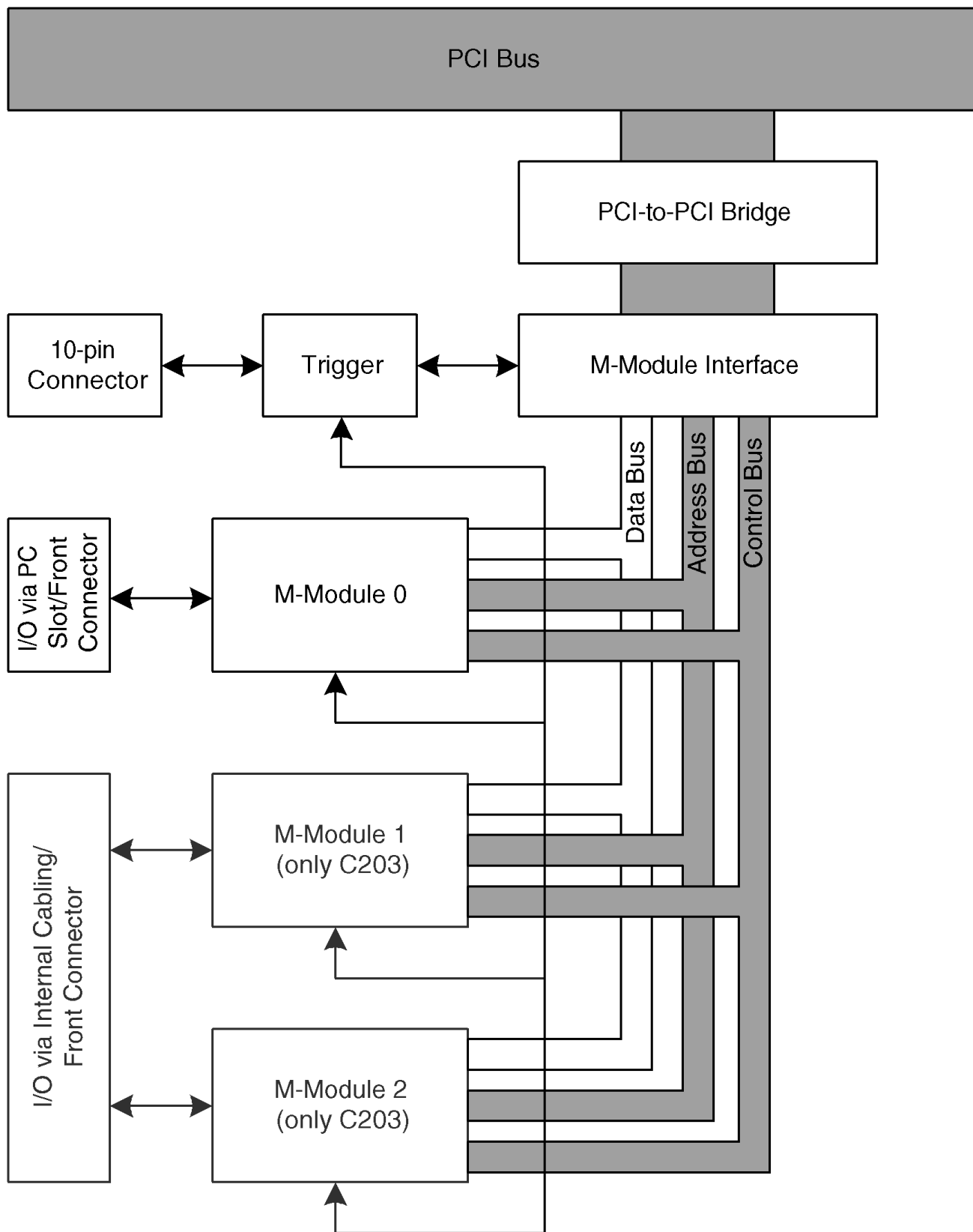
C204 – PCI M-Module™ Carrier Board

- 1 M-Module™ slot
- PCI short card



The C204 is an M-Module™ carrier board for universal peripheral I/O applications on a desktop PC with PCI interface. The M-Module™ plugged on the C204 is screwed tightly on the carrier board. The short-card C204 can carry one M-Module™.

Diagram



Technical Data

PCI Bus	<ul style="list-style-type: none"> ■ Slots required on the PCI bus: <ul style="list-style-type: none"> □ C203: one long-card slot □ C204: one short-card slot ■ PCI 9050 controller <ul style="list-style-type: none"> □ Target on PCI bus □ Max. clock frequency 33MHz □ Power supply 5V ■ Compliance with PCI Specification 2.1 ■ 32-bit PCI data bus
M-Modules™	<ul style="list-style-type: none"> ■ Number of M-Modules™ on one board: <ul style="list-style-type: none"> □ C203: up to three M-Modules™ □ C204: one M-Module™ ■ One pass-thru window per M-Module™ ■ Characteristics: D08, D16, D32, A08, A24, INTA, TRIGI, TRIGO
Peripheral Connections	<ul style="list-style-type: none"> ■ Via PC slot ■ Via additional PC slot connection cables (C203)
Electrical Specifications	<ul style="list-style-type: none"> ■ Supply voltage/power consumption: +5V (4.85V..5.25V), 200mA typ. ■ MTBF: 52,000h @ 50°C (derived from MIL-HDBK-217F)
Mechanical Specifications	<ul style="list-style-type: none"> ■ Dimensions: <ul style="list-style-type: none"> □ C203: 296mm by 115.6mm □ C204: 155mm by 106.9mm ■ Weight: <ul style="list-style-type: none"> □ C203: 144g □ C204: 100g
Environmental Specifications	<ul style="list-style-type: none"> ■ Temperature range (operation): <ul style="list-style-type: none"> □ 0..+60°C □ Industrial temperature range on request □ Airflow: min. 10m³/h ■ Temperature range (storage): -40..+85°C ■ Relative humidity (operation): max. 95% non-condensing ■ Relative humidity (storage): max. 95% non-condensing ■ Altitude: -300m to + 3,000m ■ Shock: 15g/11ms ■ Bump: 10g/16ms ■ Vibration (sinusoidal): 2g/10..150Hz ■ Conformal coating on request
Safety	<ul style="list-style-type: none"> ■ PCB manufactured with a flammability rating of 94V-0 by UL recognized manufacturers
EMC	<ul style="list-style-type: none"> ■ Tested according to EN 55022 (radio disturbance), IEC1000-4-2 (ESD) and IEC1000-4-4 (burst)
Software Support	<ul style="list-style-type: none"> ■ M-Module™ drivers for Windows®, VxWorks®, Linux, QNX®, OS-9® as supported ■ Basic board driver included in MDIS™ system package for the respective operating system

Ordering Information

Standard C204 Models	03C204-00	C204, PCI M-Module™ carrier board for one M-Module™
Miscellaneous Accessories	05M000-17	25 mounting screw sets to fix M-Modules™ on carrier boards
Software: Miscellaneous	<p>Driver software for Windows®, Linux, VxWorks®, QNX®, RTX and OS-9® is available for the different M-Modules™. Please refer to the M-Module™/s of your choice for information and download.</p> <p>A basic board driver for this carrier card is included in the MDIS™ system package for the respective operating system. You can find an overview of available packages for download under www.men.de/mdis.</p>	

For operating systems not mentioned here [contact MEN sales](#).

Documentation	20C203-00	C203/C204 User Manual
----------------------	------------------	-----------------------

Contact Information

Germany

MEN Mikro Elektronik GmbH
Neuwieder Straße 3-7
90411 Nuremberg
Phone +49-911-99 33 5-0
Fax +49-911-99 33 5-901

info@men.de
www.men.de

France

MEN Mikro Elektronik SA
18, rue René Cassin
ZA de la Châtelaine
74240 Gaillard
Phone +33 (0) 450-955-312
Fax +33 (0) 450-955-211

info@men-france.fr
www.men-france.fr

USA

MEN Micro Inc.
860 Penllyn Blue Bell Pike
Blue Bell, PA 19422
Phone (215) 542-9575
Fax (215) 542-9577

sales@menmicro.com
www.menmicro.com

The date of issue stated in this data sheet refers to the Technical Data only. Changes in ordering information given herein do not affect the date of issue. All brand or product names are trademarks or registered trademarks of their respective holders.

MEN is not responsible for the results of any actions taken on the basis of information in the publication, nor for any error in or omission from the publication.

MEN expressly disclaims all and any liability and responsibility to any person, whether a reader of the publication or not, in respect of anything, and of the consequences of anything, done or omitted to be done by any such person in reliance, whether wholly or partially, on the whole or any part of the contents of the publication.

The correct function of MEN products in mission-critical and life-critical applications is limited to the environmental specification given for each product in the technical user manual. The correct function of MEN products under extended environmental conditions is limited to the individual requirement specification and subsequent validation documents for each product for the applicable use case and has to be agreed upon in writing by MEN and the customer. Should the customer purchase or use MEN products for any unintended or unauthorized application, the customer shall indemnify and hold MEN and its officers, employees, subsidiaries, affiliates, and distributors harmless against all claims, costs, damages, and expenses, and reasonable attorney fees arising out of, directly or indirectly, any claim or personal injury or death associated with such unintended or unauthorized use, even if such claim alleges that MEN was negligent regarding the design or manufacture of the part.

In no case is MEN liable for the correct function of the technical installation where MEN products are a part of.

Copyright © 2014 MEN Mikro Elektronik GmbH. All rights reserved.