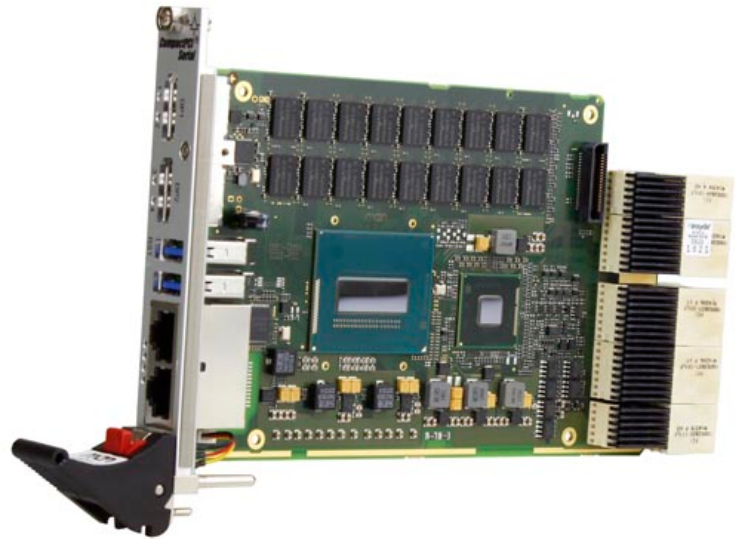


G23 – 3U CompactPCI® Serial Intel® Core™ i7 CPU Board

- Intel® Core™ i7, 4th generation
- Quad-core 64-bit processor
- 4 HP system master and peripheral slot
- PICMG CPCI-S.0 CompactPCI® Serial
- Up to 16 GB DDR3 DRAM soldered, ECC
- mSATA and microSD™ card slots
- Standard front I/O: 2 DisplayPorts, 2 Gb Ethernet, 2 USB 3.0
- Standard rear I/O: 7 PCIe®, 8 USB 2.0, 2 USB 3.0, 5 SATA, DisplayPort®/HDMI
- Rear I/O via mezzanine board: up to 8 Gigabit Ethernet
- Intel® Turbo Boost, Hyper-Threading, AMT 9.0
- Open CL support



The G23 is a versatile 4HP/3U single-board computer supporting a multitude of modern serial interfaces according to the CompactPCI® Serial standard. It is thus perfectly suited for data-intensive applications which require high computing-power. The CPU card is equipped with the Intel® fourth-generation Core i7 processor running at up to 3.4 GHz maximum turbo frequency and offering the latest multi-core processor architecture from Intel® with full 64-bit support. The processor frequency can be stepped down via the BIOS to lower power consumption and make the board more suitable for high temperatures. The G23 supports the Intel® Active Management technology which makes it possible to access the board via the network even when it is in soft-off or standby state.

For system security, a Trusted Platform Module is assembled on the board.

The memory configuration of the G23 includes a state-of-the-art fast DDR3 DRAM which is soldered to the board to guarantee optimum shock and vibration resistance. An mSATA disk connected via a SATA channel and a microSD™ card device which is connected via a USB interface offer nearly unlimited space for user applications.

The board delivers an excellent graphics performance. Two DisplayPort® interfaces are accessible at the board front. Using an external adapter two HDMI or two DVI ports can also be realized. In addition the standard front I/O comprises two PCIe®-driven Gigabit Ethernet and two USB 3.0 ports.

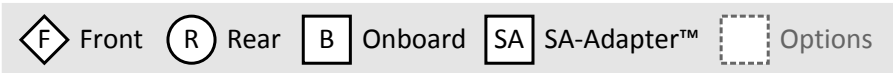
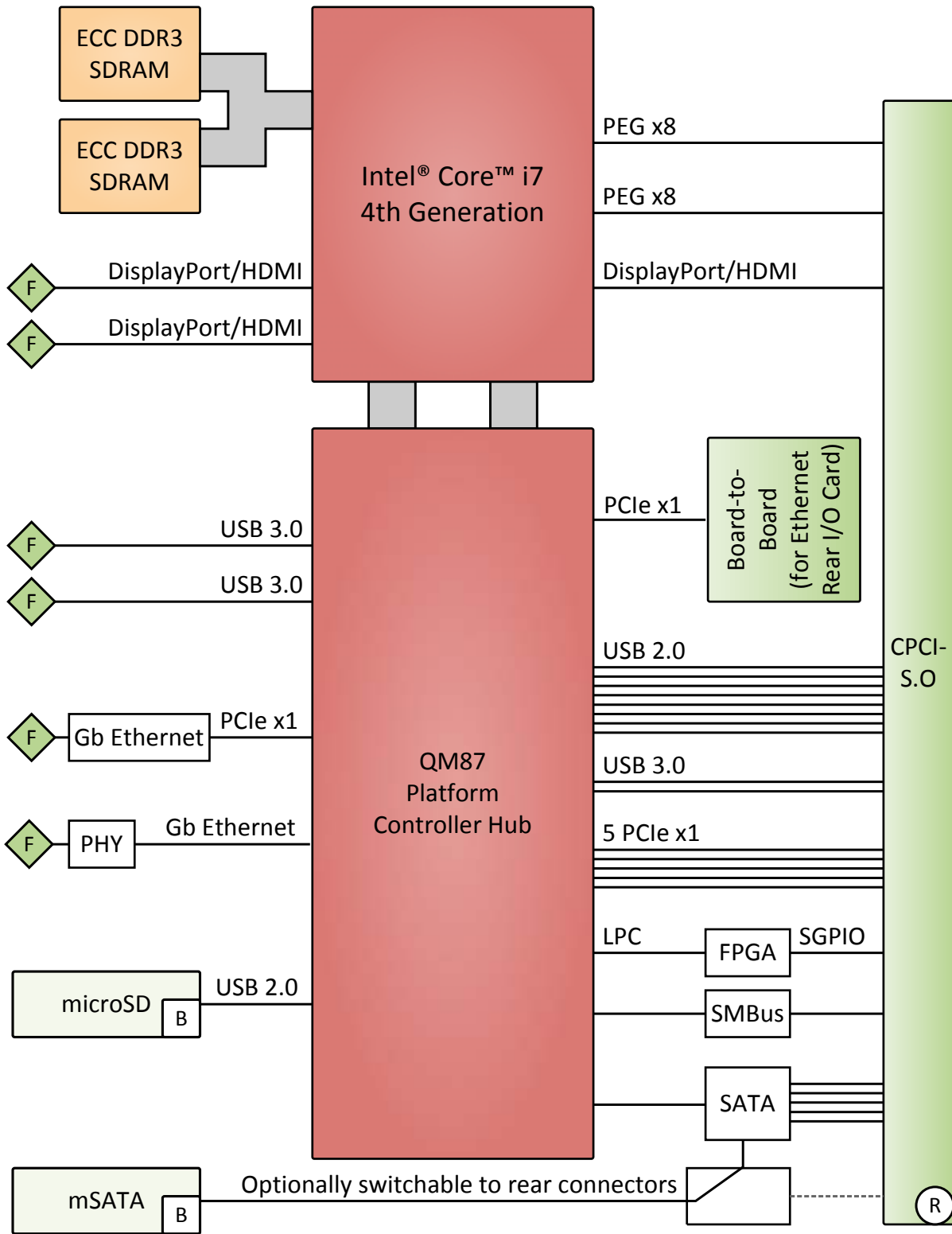
Serial interfaces at the rear I/O connectors are 8 USB 2.0, 2 USB 3.0, 5 SATA interfaces, one DisplayPort® or HDMI, 5 PCI Express® x1 links, and two PEG x8 links. Up to eight Gigabit Ethernet interfaces can be implemented using a [rear I/O adapter board](#).

A board management controller provides thermal supervision of the processor and a watchdog for the operating system.

The G23 operates in Windows® and Linux environments as well as under real-time operating systems that support Intel®'s multi-core architecture. The InsydeH2O™ EFI BIOS was specially designed for embedded system applications.

The G23 comes with a tailored passive heat sink within 4 HP height. All components are soldered for protection against shock and vibration according to applicable DIN, EN or IEC industry standards. As an option, the board can be equipped with an M12 Ethernet connector. The G23 is also ready for coating so that it can be used in humid and dusty environments and has a guaranteed minimum standard availability of 7 years. These features make the G23 perfectly suited for harsh environments.

Diagram



Technical Data

CPU	<ul style="list-style-type: none"> ■ Intel® Core™ i7-4700EQ <ul style="list-style-type: none"> □ 2.4 GHz processor core frequency □ 3.4 GHz maximum turbo frequency ■ Chipset <ul style="list-style-type: none"> □ QM87 Platform Controller Hub (PCH)
Board Management Controller	<ul style="list-style-type: none"> ■ Power supervision and watchdog ■ Temperature measurement ■ 2 board status LEDs ■ 2 user LEDs ■ Reset button
Memory	<ul style="list-style-type: none"> ■ 6 MB last level cache integrated in i7 processor ■ Up to 16 GB SDRAM system memory <ul style="list-style-type: none"> □ Soldered □ DDR3 with ECC support □ Up to 1600 MHz memory bus frequency ■ 64 Mbits boot Flash ■ Serial EEPROM 2 KB for factory settings ■ mSATA disk slot <ul style="list-style-type: none"> □ Connected via one SATA port from the PCH ■ Serial GPIO (SGPIO) <ul style="list-style-type: none"> □ One interface via CPCI-S.0 rear connector □ Compliant with SFF 8485 specification ■ One microSD™ card slot <ul style="list-style-type: none"> □ Via USB
Mass Storage	<ul style="list-style-type: none"> ■ Serial ATA (SATA) <ul style="list-style-type: none"> □ Five channels via rear I/O (six if the link to the mSATA disk is not required, can be switched in BIOS) □ Six ports with transfer rates up to 6 Gbit/s (SATA Revision 3.x) □ RAID level 0/1/5/10 support □ Hot-plug together with G501
Graphics	<ul style="list-style-type: none"> ■ Integrated in QM87 chipset <ul style="list-style-type: none"> □ Maximum resolution: up to 2560x1600 ■ Two DisplayPort® connectors at front panel <ul style="list-style-type: none"> □ Optionally two DVI/HDMI ports via external adapter ■ One DisplayPort® at CPCI-S.0 rear connector <ul style="list-style-type: none"> □ Optionally SDVO or DVI/HDMI port
I/O	<ul style="list-style-type: none"> ■ USB 2.0 <ul style="list-style-type: none"> □ Up to eight USB 2.0 host ports via CPCI-S.0 rear connector (depending on the number of used USB 3.0 ports) □ Two USB 2.0 host ports for connection of the rear I/O card □ EHCI implementation □ Data rates up to 480 Mbit/s ■ USB 3.0 <ul style="list-style-type: none"> □ Two USB 3.0 host ports via Series A connector at front panel □ Two USB 3.0 host ports via CPCI-S.0 rear connector □ Data rate up to 5 Gbit/s ■ Ethernet <ul style="list-style-type: none"> □ Two 10/100/1000Base-T Ethernet channels at the front □ RJ45 connectors at front panel □ Ethernet controllers are connected by two x1 PCIe® links □ Two LEDs to signal LAN link, activity status and connection speed
Front Connections	<ul style="list-style-type: none"> ■ Two DisplayPort® ■ Two USB 3.0 (Series A) ■ Two Ethernet (RJ45)

Technical Data

Rear I/O	<ul style="list-style-type: none"> ■ 5 SATA (6 switchable in BIOS) ■ 1 DisplayPort® ■ 8 USB 2.0 ■ 2 USB 3.0 ■ 5 PCI Express® x1 links ■ 2 PEG x8 links ■ SGPIO
PCI Express®	<ul style="list-style-type: none"> ■ Two x8 PCI Express® graphics links via CPCI-S.0 rear connector <ul style="list-style-type: none"> □ Data rate 985 MB/s (8 Gbit/s per lane) ■ Five x1 PCIe® links via CPCI-S.0 rear connector <ul style="list-style-type: none"> □ Data rate 500 MB/s (5 Gbit/s per lane) ■ Two x1 PCIe® links to connect local 1000Base-T Ethernet controllers <ul style="list-style-type: none"> □ Data rate 250 MB/s (2.5 Gbit/s per lane) ■ One x1 PCIe® link via for connection of the rear I/O card <ul style="list-style-type: none"> □ Data rate 500 MB/s (5 Gbit/s per lane)
Miscellaneous	<ul style="list-style-type: none"> ■ Real-time clock with supercapacitor backup, battery-buffered
CompactPCI® Serial	<ul style="list-style-type: none"> ■ Compliance with CompactPCI® Serial PICMG CPCI-S.0 Specification ■ System or peripheral slot
Electrical Specifications	<ul style="list-style-type: none"> ■ Supply voltage/power consumption: <ul style="list-style-type: none"> □ +12V (9..16V), tbd A nominal, tbd A maximum □ +5V (-5%/+5%) standby voltage optional
Mechanical Specifications	<ul style="list-style-type: none"> ■ Dimensions: conforming to CompactPCI® Serial specification for 3U boards ■ Front panel: 4HP with ejector ■ Weight: <ul style="list-style-type: none"> □ 208 g (w/o heat sink) □ 398 g (with heat sink and mSATA adapter)
Environmental Specifications	<ul style="list-style-type: none"> ■ Temperature range (operation): <ul style="list-style-type: none"> □ Depends on system configuration (CPU, hard disk, heat sink...) □ Maximum: +85°C □ Minimum: -40°C (all processors) □ Airflow: min. 1.5 m/s, typical power dissipation tbd, with Windows® XP operating system, 1 Gb Ethernet, without CPU clock reduction ■ Temperature range (storage): -40..+85°C ■ Relative humidity (operation): max. 95% non-condensing ■ Relative humidity (storage): max. 95% non-condensing ■ Altitude: -300 m to + 3,000 m ■ Shock: 50 m/s², 30 ms ■ Vibration (function): 1 m/s², 5 Hz - 150 Hz ■ Vibration (lifetime): 7.9 m/s², 5 Hz - 150 Hz ■ Conformal coating on request
MTBF	<ul style="list-style-type: none"> ■ tbd h @ 40°C according to IEC/TR 62380 (RDF 2000)
Safety	<ul style="list-style-type: none"> ■ Flammability <ul style="list-style-type: none"> □ UL 94V-0 ■ Electrical Safety <ul style="list-style-type: none"> □ Insulation measurement test according to EN 50155 (12.2.9.1) □ Voltage withstand test according to EN 50155 (12.2.9.2) □ Information technology equipment test according to EN 60950

Technical Data

EMC Conformity	<ul style="list-style-type: none">■ EN 55022 (radio disturbance)■ IEC 61000-4-2 (ESD)■ IEC 61000-4-3 (electromagnetic field immunity)■ IEC 61000-4-4 (burst)■ IEC 61000-4-5 (surge)■ IEC 61000-4-6 (conducted disturbances)
BIOS	<ul style="list-style-type: none">■ InsydeH2O™ UEFI Framework
Intel® Active Management Technology	<ul style="list-style-type: none">■ Out of Band (OOB) Access<ul style="list-style-type: none">□ Power off Access□ Independent of OS status□ Power status control□ Keyboard-Video-Mouse (KVM) Viewer (VNC-compatible)□ IDE-Redirect□ Serial-over-LAN■ Manageability Engine in Chipset■ Network Filters in Chipset■ Dedicated Flash Storage Area
Software Support	<ul style="list-style-type: none">■ Windows®■ Linux■ VxWorks® (on request)■ QNX® (on request)■ For more information on supported operating system versions and drivers see Downloads.

Configuration & Options

Standard Configurations

Article No.	CPU Type	Clock	Cores/Threads	System RAM	Operating Temperature
02G023-00	Celeron 2002E	1.5 GHz	2/2	4 GB	-40..+85°C
02G023-01	Core i7-4700EQ	2.4 GHz	4/8	16 GB	0..+60°C

Options

CPU	<ul style="list-style-type: none"> ■ Intel® Core™ i7 ■ Intel® Core™ i5 ■ Intel® Core™ i3 ■ Intel® Celeron® ■ For more details please see the overview matrix of supported processor types
Memory	<ul style="list-style-type: none"> ■ System RAM <ul style="list-style-type: none"> □ 4 GB, 8 GB or 16 GB ■ mSATA disk <ul style="list-style-type: none"> □ 0 MB up to maximum available ■ microSD™ card <ul style="list-style-type: none"> □ 0 MB up to maximum available
I/O	<ul style="list-style-type: none"> ■ Ethernet <ul style="list-style-type: none"> □ One Gigabit Ethernet on M12 connector instead of two interfaces on RJ45
Rear I/O	<ul style="list-style-type: none"> ■ PCI Express® <ul style="list-style-type: none"> □ 8 PCI Express® lanes ■ Ethernet <ul style="list-style-type: none"> □ Up to eight Gigabit Ethernet interfaces on the backplane using rear I/O card (e.g. GM1)
Operating Temperature	<ul style="list-style-type: none"> ■ Depends on system configuration (CPU, hard disk, heat sink...) ■ Maximum: +85°C ■ Minimum: -50°C
Cooling Concept	<ul style="list-style-type: none"> ■ Also available with conduction cooling in MEN CCA frame

Please note that some of these options may only be available for large volumes. Please ask our sales staff for more information.

Ordering Information

Standard G23 Models	02G023-00	3U CompactPCI® Serial (CPCI-S.0) SBC, Intel® Celeron® 2002E 1.5 GHz, 4 GB DDR3 DRAM with ECC, -40..+85°C
	02G023-01	3U CompactPCI® Serial (CPCI-S.0) SBC, Intel® i7-4700EQ 2.4 GHz, 16 GB DDR3 DRAM with ECC, 0..+60°C
Related Hardware	08GM01-00	CompactPCI® Serial 4x Gigabit Ethernet rear I/O mezzanine card, -40..+85°C screened
	08GM02-00	CompactPCI® Serial 8x Gigabit Ethernet rear I/O mezzanine card, -40..+55°C screened
	08GM03-00	CompactPCI® Serial 4x Gigabit Ethernet rear I/O mezzanine card, -40..+85°C screened
Memory	0751-0046	MicroSD card, 2 GB, -40..+85°C
	0751-0051	SSD mSATA, 8 GB, -40..+85°C
	0751-0052	MicroSD card, 4 GB, -40..+85°C
Systems & Card Cages	0701-0058	CompactPCI® Serial 19" 4U/84 HP rack-mount enclosure for 3U cards (vertical), 9-slot backplane, system slot left, full mesh, 460 W ATX PSU 90..264VAC, 1U fan tray with 2x 12 VDC fans, 0..+45°C
Miscellaneous Accessories	05G000-00	Front panel kit for use of 3U G2x family CPU cards with 6U 8HP front
	0780-0005	DisplayPort® to DVI-D adapter, 20 cm
	0780-0006	Active DisplayPort® (DP) to single link DVI-D adapter, 20cm, max. resolution 1920x1200, AMD / ATI Eyefinity technology
Documentation	Compare Chart 3U CompactPCI® Serial CPU and I/O cards » Download	

Contact Information

Germany

MEN Mikro Elektronik GmbH
Neuwieder Straße 3-7
90411 Nuremberg
Phone +49-911-99 33 5-0
Fax +49-911-99 33 5-901

info@men.de
www.men.de

France

MEN Mikro Elektronik SAS
18, rue René Cassin
ZA de la Châtelaine
74240 Gaillard
Phone +33 (0) 450-955-312
Fax +33 (0) 450-955-211

info@men-france.fr
www.men-france.fr

USA

MEN Micro Inc.
860 Penllyn Blue Bell Pike
Blue Bell, PA 19422
Phone (215) 542-9575
Fax (215) 542-9577

sales@menmicro.com
www.menmicro.com

The date of issue stated in this data sheet refers to the Technical Data only. Changes in ordering information given herein do not affect the date of issue. All brand or product names are trademarks or registered trademarks of their respective holders.

MEN is not responsible for the results of any actions taken on the basis of information in the publication, nor for any error in or omission from the publication.

MEN expressly disclaims all and any liability and responsibility to any person, whether a reader of the publication or not, in respect of anything, and of the consequences of anything, done or omitted to be done by any such person in reliance, whether wholly or partially, on the whole or any part of the contents of the publication.

The correct function of MEN products in mission-critical and life-critical applications is limited to the environmental specification given for each product in the technical user manual. The correct function of MEN products under extended environmental conditions is limited to the individual requirement specification and subsequent validation documents for each product for the applicable use case and has to be agreed upon in writing by MEN and the customer. Should the customer purchase or use MEN products for any unintended or unauthorized application, the customer shall indemnify and hold MEN and its officers, employees, subsidiaries, affiliates, and distributors harmless against all claims, costs, damages, and expenses, and reasonable attorney fees arising out of, directly or indirectly, any claim or personal injury or death associated with such unintended or unauthorized use, even if such claim alleges that MEN was negligent regarding the design or manufacture of the part.

In no case is MEN liable for the correct function of the technical installation where MEN products are a part of.

Copyright © 2015 MEN Mikro Elektronik GmbH. All rights reserved.