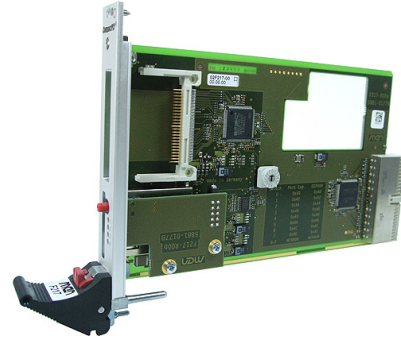


F217 – 3U CompactPCI® Memory Card Carrier

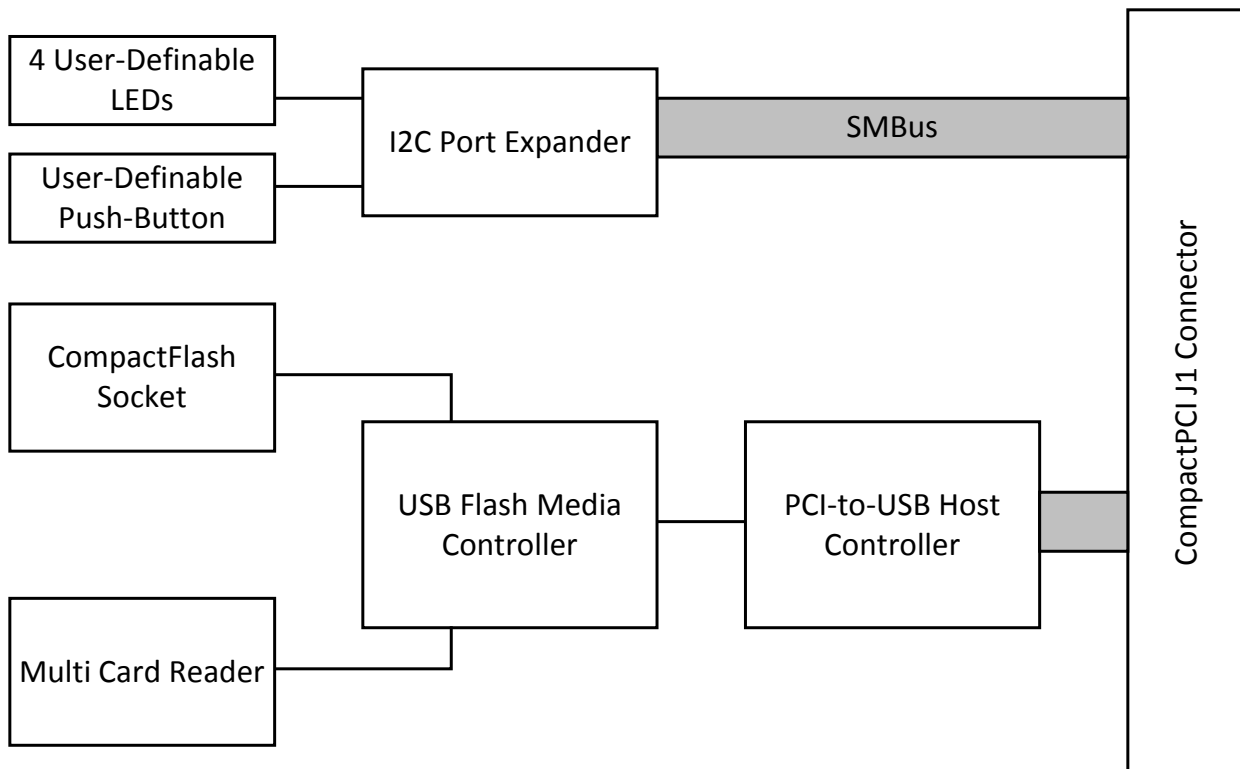
- 4 HP 32-bit/33-MHz CompactPCI®
- USB Flash Media Controller
- Multi card reader: MS, SD, MMC
- CompactFlash® socket
- Hot-plug at front
- -40 to +85°C screened
- EN 50155 compliant (railways)



The F217 is a 3U 4HP CompactPCI® board which offers a multitude of memory configurations. It is equipped with a CompactFlash® socket and a multi card reader which supports MS, SD and MMC plus cards. The memory cards are accessible at the front and can be inserted and removed during operation (hot plug).

They can optionally be protected by an EMC-proof cover which also secures the cards mechanically, so that they cannot fall out. This protection makes the boards especially suited for harsh environments. A button for hot-extraction request and four status LEDs are also provided at the front panel. The F217 is screened for operation in the extended temperature range of -40 to +85°C.

Diagram



Technical Data

Memory	<ul style="list-style-type: none"> ■ One CompactFlash® card interface <ul style="list-style-type: none"> □ Type I/II □ UDMA Mode 0..4 □ PIO Mode 0..6 □ Via USB Flash media controller ■ One multi card reader <ul style="list-style-type: none"> □ MS (Memory Stick 1.43) □ SD/SDHC (Secure Digital 2.0) □ MMC plus (Multi Media Card 4.2) □ Via USB Flash media controller
CompactPCI® Bus	<ul style="list-style-type: none"> ■ Compliance with CompactPCI® Core Specification PICMG 2.0 R3.0 ■ Peripheral slot ■ V(I/O): +3.3 V
Electrical Specifications	<ul style="list-style-type: none"> ■ Isolation voltage: <ul style="list-style-type: none"> □ 1000 VAC between GND and SHIELD ■ Supply voltage/power consumption: <ul style="list-style-type: none"> □ +3.3 V (-3%/+5%), 1.06 W (with CompactFlash® and SD card)
Mechanical Specifications	<ul style="list-style-type: none"> ■ Dimensions: conforming to CompactPCI® specification for 3U boards ■ Front panel: 4 HP with ejector ■ Weight: 124 g (without cards)
Environmental Specifications	<ul style="list-style-type: none"> ■ Temperature range (operation): <ul style="list-style-type: none"> □ -40..+85°C (screened, depending on the cards used) □ Airflow: 1.0 m/s ■ Temperature range (storage): -40..+85°C ■ Relative humidity (operation): max. 95% non-condensing ■ Relative humidity (storage): max. 95% non-condensing ■ Altitude: -300 m to + 3,000 m ■ Shock: 15 g, 11 ms ■ Bump: 10 g, 16 ms ■ Vibration (sinusoidal): 1 g, 10..150 Hz ■ Conformal coating on request
MTBF	<ul style="list-style-type: none"> ■ 1,190,023h @ 40°C according to IEC/TR 62380 (RDF 2000)(without CompactFlash®)
Safety	<ul style="list-style-type: none"> ■ PCB manufactured with a flammability rating of 94V-0 by UL recognized manufacturers
EMC	<ul style="list-style-type: none"> ■ Conforming to EN 55022 (radio disturbance), IEC1000-4-2 (ESD) and IEC1000-4-4 (burst)
Software Support	<ul style="list-style-type: none"> ■ Windows® ■ Linux ■ For more information on supported operating system versions and drivers see Downloads.

Configuration & Options

Standard Configurations

Article No.	Memory	EMC cover
02F217-00	CompactFlash, multcard slot	no

Options

Mechanics	<ul style="list-style-type: none"> Front panel cover for EMC and mechanical protection
Cooling Concept	<ul style="list-style-type: none"> Also available with conduction cooling in MEN CCA frame

Please note that some of these options may only be available for large volumes. Please ask our sales staff for more information.

Ordering Information

Standard F217 Models	02F217-00	Memory card carrier for CF, SD, MMC Cards, -40..+85°C screened
Software: Windows®		This product is designed to work under Windows®. See below for all available separate software packages.
	13Y004-70	MDIS4/2004 / MDIS5 Windows® driver (MEN) for SMBus devices for F14, F15, F17, F18, D9, D601, F600, F601 and F217

For operating systems not mentioned here [contact MEN sales](#).

Documentation	Compare Chart 3U CompactPCI® / PlusIO CPU cards » Download Compare Chart 3U CompactPCI® / PlusIO peripheral cards » Download
	20F217-00 F217 User Manual

Contact Information

Germany

MEN Mikro Elektronik GmbH
Neuwieder Straße 3-7
90411 Nuremberg
Phone +49-911-99 33 5-0
Fax +49-911-99 33 5-901

info@men.de
www.men.de

France

MEN Mikro Elektronik SAS
18, rue René Cassin
ZA de la Châtelaine
74240 Gaillard
Phone +33 (0) 450-955-312
Fax +33 (0) 450-955-211

info@men-france.fr
www.men-france.fr

USA

MEN Micro Inc.
860 Penllyn Blue Bell Pike
Blue Bell, PA 19422
Phone (215) 542-9575
Fax (215) 542-9577

sales@menmicro.com
www.menmicro.com

The date of issue stated in this data sheet refers to the Technical Data only. Changes in ordering information given herein do not affect the date of issue. All brand or product names are trademarks or registered trademarks of their respective holders.

MEN is not responsible for the results of any actions taken on the basis of information in the publication, nor for any error in or omission from the publication.

MEN expressly disclaims all and any liability and responsibility to any person, whether a reader of the publication or not, in respect of anything, and of the consequences of anything, done or omitted to be done by any such person in reliance, whether wholly or partially, on the whole or any part of the contents of the publication.

The correct function of MEN products in mission-critical and life-critical applications is limited to the environmental specification given for each product in the technical user manual. The correct function of MEN products under extended environmental conditions is limited to the individual requirement specification and subsequent validation documents for each product for the applicable use case and has to be agreed upon in writing by MEN and the customer. Should the customer purchase or use MEN products for any unintended or unauthorized application, the customer shall indemnify and hold MEN and its officers, employees, subsidiaries, affiliates, and distributors harmless against all claims, costs, damages, and expenses, and reasonable attorney fees arising out of, directly or indirectly, any claim or personal injury or death associated with such unintended or unauthorized use, even if such claim alleges that MEN was negligent regarding the design or manufacture of the part.

In no case is MEN liable for the correct function of the technical installation where MEN products are a part of.

Copyright © 2015 MEN Mikro Elektronik GmbH. All rights reserved.