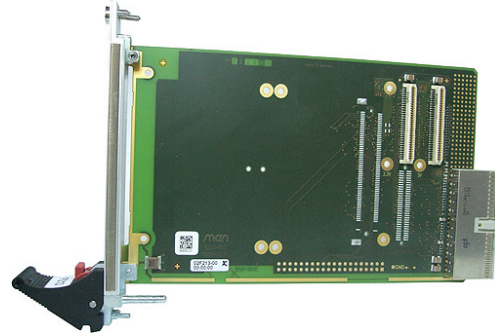


F213 – 3U CompactPCI® PMC Carrier

- 4 HP 32-bit/33-MHz CompactPCI®
- 1 32-bit/33-MHz or 66-MHz PMC slot
- Optional Mini PCI card slot
- -40 to +85°C with qualified components



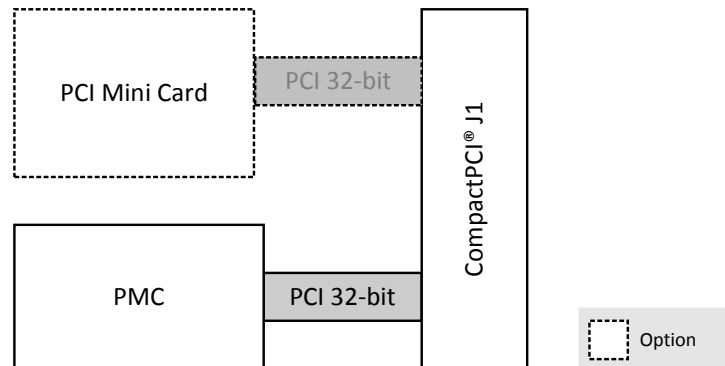
The F213 is a rugged single Eurocard CompactPCI® carrier board supporting the PMC mezzanine standard or, as an option, the Mini PCI card standard.

The standard version of the F213 offers one PMC slot with a 32-bit and 33-MHz or 66-MHz data transfer rate. Using mezzanine carrier cards like the F213 is a fast and

easy way to extend the functionality of any CompactPCI® system based on the huge offer of PMC modules available on the market.

The F213 is designed for -40 to +85°C operation temperature using qualified components and prepared for conformal coating in order to be used also in harsh and mobile environments. The final environmental qualification depends on the respective cards used on the carrier.

Diagram



Technical Data

Mezzanine Slots	<ul style="list-style-type: none"> ■ One PMC slot <ul style="list-style-type: none"> □ 32-bit, 33MHz or 66MHz ■ Or one Mini PCI card slot <ul style="list-style-type: none"> □ Type III (A and B) □ 32-bit/33MHz
CompactPCI® Bus	<ul style="list-style-type: none"> ■ Compliance with CompactPCI® Core Specification PICMG 2.0 R3.0 ■ Peripheral slot ■ 32-bit/33-MHz PCI-to-PCI adapter ■ V(I/O): +3.3V (or +5V adjustable via CompactPCI® key)
Electrical Specifications	<ul style="list-style-type: none"> ■ Supply voltage/power consumption: <ul style="list-style-type: none"> □ +5V (±3% typ.), depending on mezzanine □ +3.3V (±3% typ.) □ +12V (-5%/+5%) for PMC □ -12V (-5%/+5%) for PMC ■ MTBF: 4,888,478h @ 40°C according to IEC/TR 62380 (RDF 2000)
Mechanical Specifications	<ul style="list-style-type: none"> ■ Dimensions: conforming to CompactPCI® specification for 3U boards ■ Front panel: 4HP with ejector ■ Weight: 124g (without PMC or Mini PCI card)
Environmental Specifications	<ul style="list-style-type: none"> ■ Temperature range (operation): <ul style="list-style-type: none"> □ -40..+85°C (qualified) □ Airflow: depending on mezzanine ■ Temperature range (storage): -40..+85°C ■ Relative humidity (operation): max. 95% non-condensing ■ Relative humidity (storage): max. 95% non-condensing ■ Altitude: -300m to + 3,000m ■ Shock: according to EN50155; EN61373 category 1;class B ■ Bump: 10g/16ms ■ Vibration (sinusoidal): 2g/10..150Hz ■ Conformal coating on request
Safety	<ul style="list-style-type: none"> ■ PCB manufactured with a flammability rating of 94V-0 by UL recognized manufacturers
EMC	<ul style="list-style-type: none"> ■ Tested according to EN55011 Class A, EN50121-3-2 (radio disturbance); EN50155, EN50121-3-2, EN61000-4-2 (ESD); EN 50121-3-2, EN 61000-4-5 (surge), EN50155, EN50121-3-2, EN61000-4-4 (burst)

Configuration & Options

Standard Configurations

Article No.	Card Slots	Type	Operation Temperature
02F213-00	1 PMC	32-bit/33 or 66 MHz	-40..+85°C

Options

Mezzanine Slots	<ul style="list-style-type: none"> 32-bit/33MHz or 66MHz PMC slot Mini PCI card slot
Cooling Concept	<ul style="list-style-type: none"> Also available with conduction cooling in MEN CCA frame

Please note that some of these options may only be available for large volumes. Please ask our sales staff for more information.

Ordering Information

Standard F213 Models	02F213-00	PMC carrier board, -40..+85°C qualified (carrier only)
Miscellaneous Accessories	05P000-01	25 mounting screw sets to fix PMC/XMC modules on carrier boards
Documentation	Compare Chart 3U CompactPCI® / PlusIO CPU cards » Download Compare Chart 3U CompactPCI® / PlusIO peripheral cards » Download 20F213-00 F213 User Manual	

Contact Information

Germany

MEN Mikro Elektronik GmbH
Neuwieder Straße 3-7
90411 Nuremberg
Phone +49-911-99 33 5-0
Fax +49-911-99 33 5-901

info@men.de
www.men.de

France

MEN Mikro Elektronik SAS
18, rue René Cassin
ZA de la Châtelaine
74240 Gaillard
Phone +33 (0) 450-955-312
Fax +33 (0) 450-955-211

info@men-france.fr
www.men-france.fr

USA

MEN Micro Inc.
860 Penlyn Blue Bell Pike
Blue Bell, PA 19422
Phone (215) 542-9575
Fax (215) 542-9577

sales@menmicro.com
www.menmicro.com

The date of issue stated in this data sheet refers to the Technical Data only. Changes in ordering information given herein do not affect the date of issue. All brand or product names are trademarks or registered trademarks of their respective holders.

MEN is not responsible for the results of any actions taken on the basis of information in the publication, nor for any error in or omission from the publication.

MEN expressly disclaims all and any liability and responsibility to any person, whether a reader of the publication or not, in respect of anything, and of the consequences of anything, done or omitted to be done by any such person in reliance, whether wholly or partially, on the whole or any part of the contents of the publication.

The correct function of MEN products in mission-critical and life-critical applications is limited to the environmental specification given for each product in the technical user manual. The correct function of MEN products under extended environmental conditions is limited to the individual requirement specification and subsequent validation documents for each product for the applicable use case and has to be agreed upon in writing by MEN and the customer. Should the customer purchase or use MEN products for any unintended or unauthorized application, the customer shall indemnify and hold MEN and its officers, employees, subsidiaries, affiliates, and distributors harmless against all claims, costs, damages, and expenses, and reasonable attorney fees arising out of, directly or indirectly, any claim or personal injury or death associated with such unintended or unauthorized use, even if such claim alleges that MEN was negligent regarding the design or manufacture of the part.

In no case is MEN liable for the correct function of the technical installation where MEN products are a part of.

Copyright © 2015 MEN Mikro Elektronik GmbH. All rights reserved.