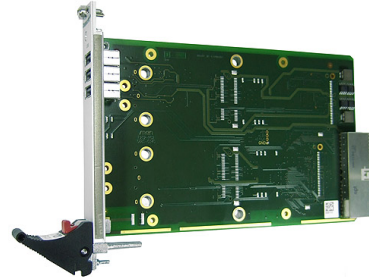


# F212U – 3U CompactPCI® Triple USB Interface

- 3 USB 2.0 interfaces
- 32-bit/33-MHz CompactPCI®
- -40 to 85°C screened

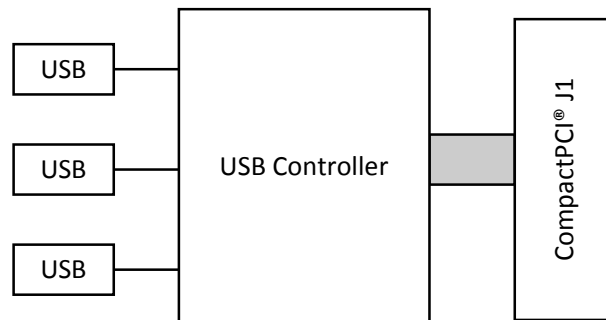


The F212U is a rugged single Eurocard CompactPCI® board with three USB 2.0 interfaces at the front. The interfaces support OHCI and EHCI.

The F212U is designed for -40 to +85°C operation temperature (screened) and prepared for conformal coating in order to be used also in harsh and mobile environments.

It is an ideal extension of a CompactPCI® Intel® or Power PC system if the USB interfaces provided by the CPU board or the side card are not sufficient.

## Diagram



## Technical Data

<b>USB</b>	<ul style="list-style-type: none"><li>■ Three USB 2.0 host ports</li><li>■ Series A connectors at front panel</li><li>■ OHCI implementation</li><li>■ Data rates up to 480Mbit/s</li><li>■ No booting support</li></ul>
<b>CompactPCI® Bus</b>	<ul style="list-style-type: none"><li>■ Compliance with CompactPCI® Core Specification PICMG 2.0 R3.0</li><li>■ Peripheral slot</li><li>■ 32-bit/33-MHz PCI-to-USB bridge</li><li>■ V(I/O): +3.3V (+5V tolerant)</li></ul>
<b>Electrical Specifications</b>	<ul style="list-style-type: none"><li>■ Supply voltage/power consumption:<ul style="list-style-type: none"><li>□ +5V (-3%/+5%), depending on plugged USB devices, max. current without USB devices: 25mA</li><li>□ +3.3V supply voltage for board is generated onboard</li></ul></li></ul>
<b>Mechanical Specifications</b>	<ul style="list-style-type: none"><li>■ Dimensions: conforming to CompactPCI® specification for 3U boards</li><li>■ Front panel: 4HP with ejector</li><li>■ Weight: 110g</li></ul>
<b>Environmental Specifications</b>	<ul style="list-style-type: none"><li>■ Temperature range (operation):<ul style="list-style-type: none"><li>□ -40..+85°C (screened)</li><li>□ Airflow: min. 1.0m/s</li></ul></li><li>■ Temperature range (storage): -40..+85°C</li><li>■ Relative humidity (operation): max. 95% non-condensing</li><li>■ Relative humidity (storage): max. 95% non-condensing</li><li>■ Altitude: -300m to + 3,000m</li><li>■ Shock: 15g/11ms</li><li>■ Bump: 10g/16ms</li><li>■ Vibration (sinusoidal): 1g/10..150Hz</li><li>■ Conformal coating on request</li></ul>
<b>MTBF</b>	<ul style="list-style-type: none"><li>■ tbd @ 40°C according to IEC/TR 62380 (RDF 2000)</li></ul>
<b>Safety</b>	<ul style="list-style-type: none"><li>■ PCB manufactured with a flammability rating of 94V-0 by UL recognized manufacturers</li></ul>
<b>EMC</b>	<ul style="list-style-type: none"><li>■ Conforming to EN 55022 (radio disturbance), IEC1000-4-2 (ESD) and IEC1000-4-4 (burst)</li></ul>
<b>Software Support</b>	<ul style="list-style-type: none"><li>■ Support of standard USB devices under Windows®, VxWorks®</li></ul>

## Configuration & Options

### Options

#### Cooling Concept

- Also available with conduction cooling in MEN CCA frame

Please note that some of these options may only be available for large volumes. Please ask our sales staff for more information.

## Ordering Information

<b>Standard F212U Models</b>	<b>02F212U00</b>	3x USB 2.0 at front, -40..+85°C screened
<b>Documentation</b>		Compare Chart 3U CompactPCI® / PlusIO CPU cards » <a href="#">Download</a> Compare Chart 3U CompactPCI® / PlusIO peripheral cards » <a href="#">Download</a>
	<b>20F212U00</b>	F212U User Manual

## Contact Information

### Germany

MEN Mikro Elektronik GmbH  
Neuwieder Straße 3-7  
90411 Nuremberg  
Phone +49-911-99 33 5-0  
Fax +49-911-99 33 5-901

info@men.de  
www.men.de

### France

MEN Mikro Elektronik SAS  
18, rue René Cassin  
ZA de la Châtelaine  
74240 Gaillard  
Phone +33 (0) 450-955-312  
Fax +33 (0) 450-955-211

info@men-france.fr  
www.men-france.fr

### USA

MEN Micro Inc.  
860 Penllyn Blue Bell Pike  
Blue Bell, PA 19422  
Phone (215) 542-9575  
Fax (215) 542-9577

sales@menmicro.com  
www.menmicro.com

*The date of issue stated in this data sheet refers to the Technical Data only. Changes in ordering information given herein do not affect the date of issue. All brand or product names are trademarks or registered trademarks of their respective holders.*

*MEN is not responsible for the results of any actions taken on the basis of information in the publication, nor for any error in or omission from the publication.*

*MEN expressly disclaims all and any liability and responsibility to any person, whether a reader of the publication or not, in respect of anything, and of the consequences of anything, done or omitted to be done by any such person in reliance, whether wholly or partially, on the whole or any part of the contents of the publication.*

*The correct function of MEN products in mission-critical and life-critical applications is limited to the environmental specification given for each product in the technical user manual. The correct function of MEN products under extended environmental conditions is limited to the individual requirement specification and subsequent validation documents for each product for the applicable use case and has to be agreed upon in writing by MEN and the customer. Should the customer purchase or use MEN products for any unintended or unauthorized application, the customer shall indemnify and hold MEN and its officers, employees, subsidiaries, affiliates, and distributors harmless against all claims, costs, damages, and expenses, and reasonable attorney fees arising out of, directly or indirectly, any claim or personal injury or death associated with such unintended or unauthorized use, even if such claim alleges that MEN was negligent regarding the design or manufacture of the part.*

*In no case is MEN liable for the correct function of the technical installation where MEN products are a part of.*

Copyright © 2014 MEN Mikro Elektronik GmbH. All rights reserved.