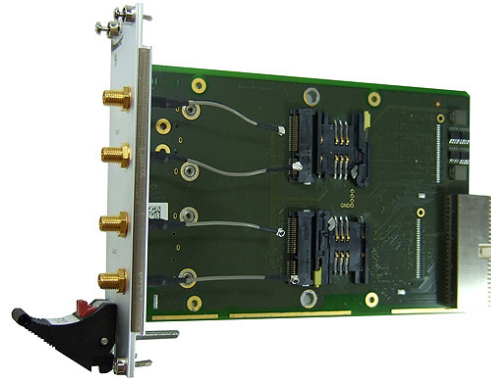


F212 – 3U CompactPCI® PCIe® Mini Card Carrier for Wireless Functions

- 4 HP 32-bit/33-MHz CompactPCI®
- Up to 2 PCI Express® Mini Cards
- ExpressCard®/34 or 54 modules optional
- For cards with internal USB interface
- For HF applications (WLAN, UMTS, GPS, GSM, HSDPA)
- -40 to +85°C with qualified components



The F212 is a rugged single Eurocard CompactPCI® carrier board supporting the PCI Express® Mini Card standard or, as an option, the ExpressCard® standard. ExpressCard® is the successor of the CardBus standard and offers different construction sizes as well as connection via PCI Express® or USB 2.0.

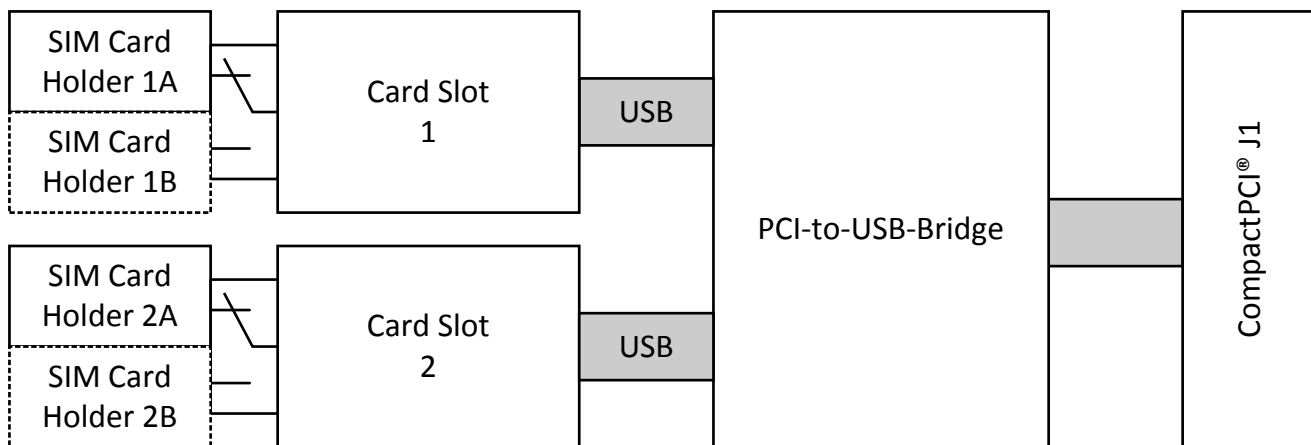
The standard version of the F212 offers two PCI Express® Mini Card slots with USB connection. It allows to use all types of cards for HF applications, for example GPS, WLAN, UMTS, GSM, or HSDPA. Each

card is connected to two robust redundant external SMA antenna connectors at the front panel of the F212.

Using these standard cards that give access to the whole world of common notebook PC expansions is a fast and easy way to extend the functionality of a CompactPCI® system as well.

The F212 is designed for -40 to +85°C operation temperature using qualified components and prepared for conformal coating in order to be used also in harsh and mobile environments. The final environmental qualification depends on the respective cards used on the carrier.

Diagram



Technical Data

Card Interfaces	<ul style="list-style-type: none"> ■ For Two PCI Express® Mini Cards <ul style="list-style-type: none"> □ With two SIM card holders (one for each PCI Express® Mini Card) ■ USB interface ■ Please note that MEN does not offer SIM cards or mobile telephony contracts!
PCI-to-USB Bridge	<ul style="list-style-type: none"> ■ USB 2.0 ■ 48 MHz
Front Connections	<ul style="list-style-type: none"> ■ Four Reverse SMA antenna connectors
CompactPCI® Bus	<ul style="list-style-type: none"> ■ Compliance with CompactPCI® Core Specification PICMG 2.0 R3.0 ■ Peripheral slot ■ 32-bit/33-MHz PCI-to-USB bridge ■ V(I/O): +3.3 V (+5 V tolerant)
Electrical Specifications	<ul style="list-style-type: none"> ■ Supply voltage/power consumption: <ul style="list-style-type: none"> □ +5 V (-3%/+5% depending on plugged card), tbd max. w/o card □ +3.3 V and 1.5 V supply voltage for cards generated onboard
Mechanical Specifications	<ul style="list-style-type: none"> ■ Dimensions: conforming to CompactPCI® specification for 3U boards ■ Front panel: 4HP or 8HP with ejector ■ Weight: 172 g (without cards)
Environmental Specifications	<ul style="list-style-type: none"> ■ Temperature range (operation): <ul style="list-style-type: none"> □ -40..+85°C (screened, only carrier, depending on configuration) □ Airflow: min. 10 m³/h ■ Temperature range (storage): -40..+85°C ■ Relative humidity (operation): max. 95% non-condensing ■ Relative humidity (storage): max. 95% non-condensing ■ Altitude: -300 m to +3000 m ■ Shock: 15 g/11 ms ■ Bump: 10 g/16 ms ■ Vibration (sinusoidal): 1 g/10..150 Hz ■ Conformal coating on request
MTBF	<ul style="list-style-type: none"> ■ 2 038 459 h @ 40°C according to IEC/TR 62380 (RDF 2000)
Safety	<ul style="list-style-type: none"> ■ PCB manufactured with a flammability rating of 94V-0 by UL recognized manufacturers
EMC	<ul style="list-style-type: none"> ■ Conforming to EN 55022 (radio disturbance), IEC1000-4-2 (ESD) and IEC1000-4-4 (burst)
Software Support	<ul style="list-style-type: none"> ■ PCI Express® Mini Card and ExpressCard® drivers as supported

Configuration & Options

Standard Configurations

Article No.	Card Slots	Front Panel	Operation Temperature
02F212-05	2 PCIe MiniCards	4 SMA connectors	-40..+85°C

Options

Card Slots	<ul style="list-style-type: none"> ■ For two PCI Express® Full-Mini or Half-Mini Cards (dual-use sockets) <ul style="list-style-type: none"> □ With four SIM card holders (two for each PCI Express® Mini Card) ■ For two ExpressCard®/34 modules ■ For one ExpressCard®/54 module
-------------------	---

Cooling Concept

- Also available with conduction cooling in MEN CCA frame

Please note that some of these options may only be available for large volumes. Please ask our sales staff for more information.

Ordering Information

Standard F212 Models	02F212-05	2 PCI Express® Mini Card slots with USB interface, 4 SIM card sockets, 4 SMA connectors, -40..+85°C with qualified components (carrier only)
Related Hardware	15PX01-00	GLONASS & GPS PCI Express® MiniCard (full size), 3-axis Gyro sensor, -40..+85°C with qualified components
	15PX04-00	Audio interface for mobile wireless cards, with SIM card holder, -40..+85°C screened
Miscellaneous Accessories	6100-0244	Telit HE910 PCI Express® Mini Card module GSM/GPRS/EDGE: 850, 900, 1800, 1900 MHz, UMTS/HSDPA: 800/850, 900, AWS1700, 1900, 2100 MHz, HSDPA+ GPS/A-GPS (SUPL 1.0)
Documentation		Compare Chart 3U CompactPCI® / PlusIO CPU cards » Download
		Compare Chart 3U CompactPCI® / PlusIO peripheral cards » Download
	20F212-00	F212 User Manual

Contact Information

Germany

MEN Mikro Elektronik GmbH
Neuwieder Straße 3-7
90411 Nuremberg
Phone +49-911-99 33 5-0
Fax +49-911-99 33 5-901

info@men.de
www.men.de

France

MEN Mikro Elektronik SAS
18, rue René Cassin
ZA de la Châtelaine
74240 Gaillard
Phone +33 (0) 450-955-312
Fax +33 (0) 450-955-211

info@men-france.fr
www.men-france.fr

USA

MEN Micro Inc.
860 Penllyn Blue Bell Pike
Blue Bell, PA 19422
Phone (215) 542-9575
Fax (215) 542-9577

sales@menmicro.com
www.menmicro.com

The date of issue stated in this data sheet refers to the Technical Data only. Changes in ordering information given herein do not affect the date of issue. All brand or product names are trademarks or registered trademarks of their respective holders.

MEN is not responsible for the results of any actions taken on the basis of information in the publication, nor for any error in or omission from the publication.

MEN expressly disclaims all and any liability and responsibility to any person, whether a reader of the publication or not, in respect of anything, and of the consequences of anything, done or omitted to be done by any such person in reliance, whether wholly or partially, on the whole or any part of the contents of the publication.

The correct function of MEN products in mission-critical and life-critical applications is limited to the environmental specification given for each product in the technical user manual. The correct function of MEN products under extended environmental conditions is limited to the individual requirement specification and subsequent validation documents for each product for the applicable use case and has to be agreed upon in writing by MEN and the customer. Should the customer purchase or use MEN products for any unintended or unauthorized application, the customer shall indemnify and hold MEN and its officers, employees, subsidiaries, affiliates, and distributors harmless against all claims, costs, damages, and expenses, and reasonable attorney fees arising out of, directly or indirectly, any claim or personal injury or death associated with such unintended or unauthorized use, even if such claim alleges that MEN was negligent regarding the design or manufacture of the part.

In no case is MEN liable for the correct function of the technical installation where MEN products are a part of.

Copyright © 2014 MEN Mikro Elektronik GmbH. All rights reserved.