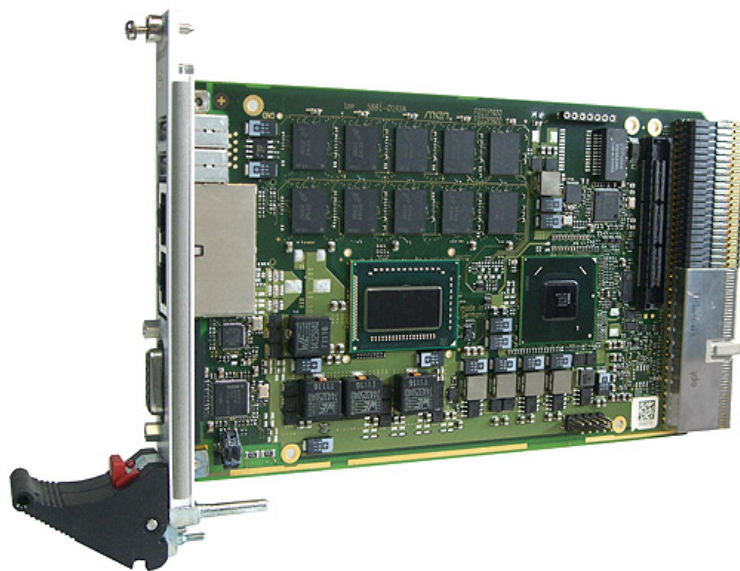


F21P – 3U CompactPCI® PlusIO Intel® Core™ i7 CPU Board

- Intel® Core™ i7, 2nd generation
- Quad-core 64-bit processor
- For CompactPCI® 2.0 systems or CompactPCI® PlusIO 2.30 hybrid systems (2.0 and CPCI-S.0)
- Up to 16 GB DDR3 DRAM soldered, ECC
- microSD™ card and mSATA slots
- Front I/O: VGA, 2 Gbit Ethernet, 2 USB
- Rear I/O: 4 PCIe®, 4 USB, 4 SATA, 1 Gbit Ethernet
- Other I/O (onboard, side card): SATA, SDVO, HDMI/Display Port, HD audio, USB, UART etc.
- 2.0 to 3.0 GHz Turbo Boost, Hyper-Threading, Active Management Technology
- Open CL 1.1 support



The F21P versatile 4HP/3U single-board computer is a continuation of MEN's proven range of Intel® CPU boards. It is equipped with the high-performance second generation Intel® Core™ i7 processor running at 2.1 GHz and offering the latest quad core processor architecture from Intel® with full 64-bit support. The CPU card delivers an excellent graphics performance and is designed especially for embedded systems which require high computing performance with low power consumption.

The F21P offers a 32-bit/33-MHz CompactPCI® bus interface and can also be used without a bus system. 4 USB 2.0 ports, 4 PCI Express® x1 links, 2 SATA 3 Gb/s and 2 SATA 6 Gb/s interfaces as well as one Gigabit Ethernet are led to the J2 rear I/O connector which is compatible with the PICMG 2.30 CompactPCI® PlusIO specification.

The F21P is equipped with a state-of-the-art fast DDR3 DRAM which is soldered to the F21P to guarantee optimum shock and vibration resistance. An mSATA disk and a microSD™ card device which are connected via a USB interface and a SATA channel offer nearly unlimited space for user applications.

The standard I/O available at the front panel of F21P includes graphics on a VGA connector, two PCIe®-driven Gigabit Ethernet as well as two USB 2.0 ports.

The F21P can be extended by different side cards. Additional functions include a digital video interface for flat panel connection via DVI (multimedia), a variety of different UARTs or another four USBs, SATA for hard disk connection and HD audio.

Thermal supervision of the processor and a watchdog for the operating system complete the functionality of the F21P. As an option, a TPM (Trusted Platform Module) chip can be assembled.

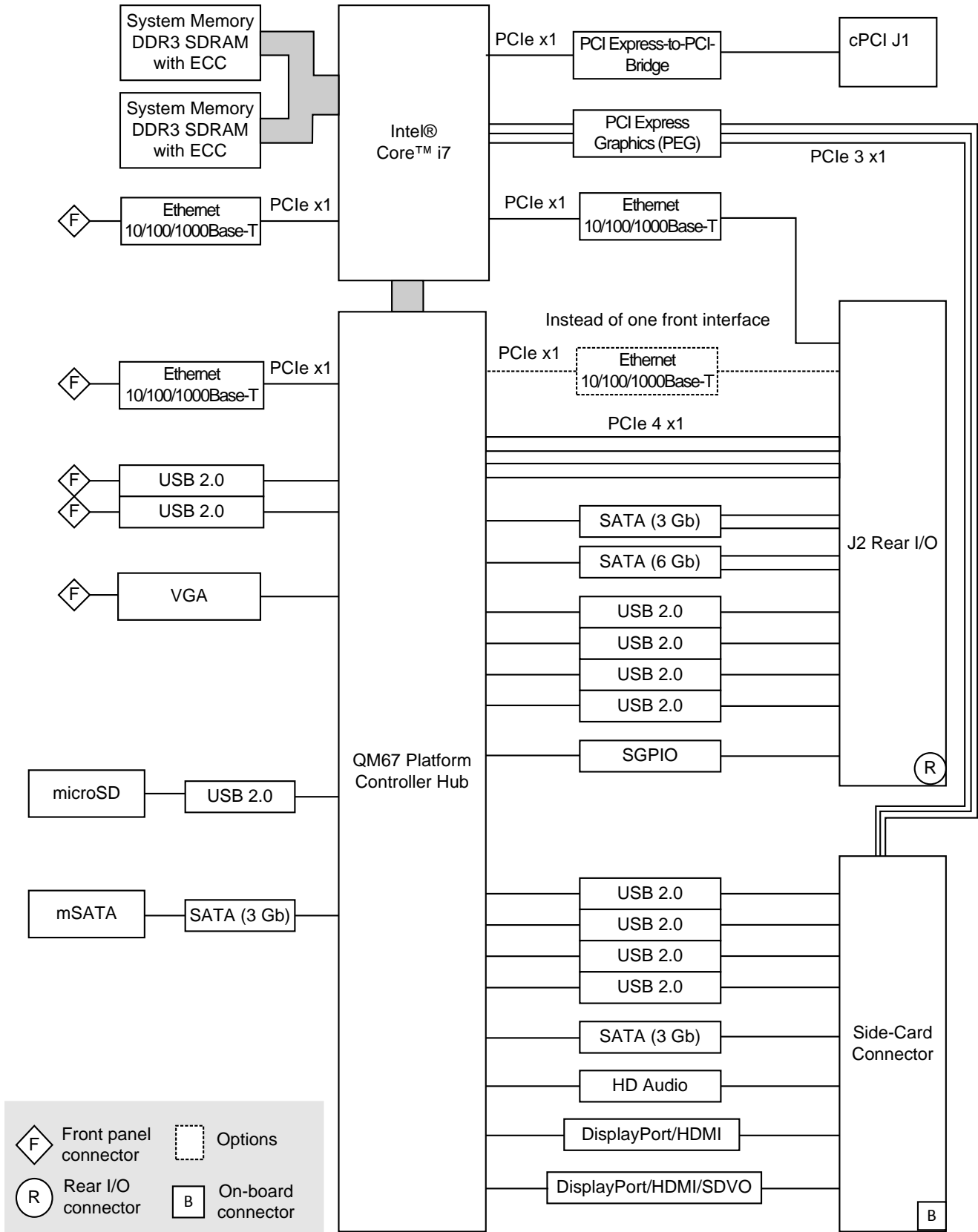
The F21P operates in Windows® and Linux environments as well as under real-time operating systems that support Intel's multi-core architecture. The InsydeH2O™ EFI BIOS was specially designed for embedded system applications.

Equipped with Intel® components exclusively from the Intel® Embedded Line, the F21P has a guaranteed minimum standard availability of 7 years.

The F21P is suited for a wide range of industrial applications, e.g. for monitoring, vision and control systems as well as test and measurement. Main target markets comprise industrial automation, multimedia, traffic and transportation, aerospace, shipbuilding, medical engineering and robotics.

The F21P comes with a tailored passive heat sink within 4 HP height. The robust design of the F21P make the board especially suited for use in rugged environments with regard to shock and vibration according to applicable DIN, EN or IEC industry standards. The F21P is also ready for coating so that it can be used in humid and dusty environments.

Diagram



Technical Data

CPU	<ul style="list-style-type: none"> ■ Intel® Core™ i7-2715QE <ul style="list-style-type: none"> □ Up to 2.1 GHz processor core frequency □ 3 GHz maximum turbo frequency ■ Chipset <ul style="list-style-type: none"> □ Intel® QM67 Platform Controller Hub (PCH)
Memory	<ul style="list-style-type: none"> ■ Up to 6 MB last level cache integrated in i7 ■ Up to 16 GB SDRAM system memory <ul style="list-style-type: none"> □ Soldered □ DDR3 with ECC support □ 1066/1333/1600 MHz memory bus frequency ■ 64 Mbits boot Flash ■ Serial EEPROM 2kbits for factory settings
Mass Storage	<ul style="list-style-type: none"> ■ microSD™ card interface <ul style="list-style-type: none"> □ Connected via one USB port ■ mSATA disk slot <ul style="list-style-type: none"> □ Connected via one SATA channel ■ Serial ATA (SATA) <ul style="list-style-type: none"> □ Four channels via rear I/O, one channel via side-card connector, one channel for mSATA disk □ 4 SATA 3 Gbit/s interfaces, 2 SATA 6 Gbit/s interfaces (rear I/O) □ RAID level 0/1/5/10 support
Graphics	<ul style="list-style-type: none"> ■ Integrated in QM67 chipset <ul style="list-style-type: none"> □ 650 MHz graphics base frequency □ 1.2 GHz graphics maximum dynamic frequency ■ VGA connector at front panel ■ Two digital display interface ports available via side-card connector <ul style="list-style-type: none"> □ DisplayPort®, HDMI and SDVO (SDVO only on one interface) □ One additional DVI connector at front panel optional via side card □ Simultaneous connection of two monitors
I/O	<ul style="list-style-type: none"> ■ USB <ul style="list-style-type: none"> □ Two USB 2.0 ports via Series A connectors at front panel □ Four USB 2.0 ports via side-card connector □ Four USB 2.0 ports via rear I/O □ One USB for connection of microSD™ □ UHCI implementation □ Data rates up to 480 Mbit/s ■ Ethernet <ul style="list-style-type: none"> □ Two 10/100/1000Base-T Ethernet channels at the front □ RJ45 connectors at front panel □ Ethernet controllers are connected by two x1 PCIe® links □ Onboard LEDs to signal activity status and connection speed □ One 10/100/1000Base-T Ethernet channel via rear I/O □ Ethernet controller is connected by one x1 PCIe® link ■ High Definition (HD) audio <ul style="list-style-type: none"> □ Accessible via side-card connector
Front Connections (Standard)	<ul style="list-style-type: none"> ■ VGA ■ Two USB 2.0 (Series A) ■ Two Ethernet (RJ45)
Rear I/O (PICMG 2.30)	<ul style="list-style-type: none"> ■ Four SATA ■ Four USB ■ One Gigabit Ethernet (second rear interface instead of one front interface as an assembly option) ■ Four PCI Express® x1 links ■ Compatible with PICMG 2.30 CompactPCI® PlusIO <ul style="list-style-type: none"> □ 1PCI33/4PCIE5/2SATA3/2SATA6/4USB2/1(2)ETH1G

Technical Data

Miscellaneous	<ul style="list-style-type: none"> ■ Board controller ■ Real-time clock, buffered by a GoldCap or alternatively a battery (5 years life cycle) ■ Watchdog timer ■ Temperature measurement ■ One user LED ■ Reset button
PCI Express®	<ul style="list-style-type: none"> ■ Three x1 links to connect local 1000Base-T Ethernet controllers <ul style="list-style-type: none"> □ Data rate 250 MB/s in each direction (2.5 Gbit/s per lane) ■ Four x1 links via rear I/O <ul style="list-style-type: none"> □ Data rate up to 500 MB/s in each direction (5 Gbit/s per lane) ■ Three x1 links for extension through side-card connector <ul style="list-style-type: none"> □ Data rate up to 500 MB/s in each direction (5 Gbit/s per lane)
CompactPCI® Bus	<ul style="list-style-type: none"> ■ Connection via PCI Express® link from processor using PCI-Express-to-PCI-Bridge ■ Compliance with CompactPCI® Core Specification PICMG 2.0 R3.0 ■ System slot ■ 32-bit/33-MHz CompactPCI® bus ■ V(I/O): +3.3V (+5V tolerant)
Busless Operation	<ul style="list-style-type: none"> ■ Board can be supplied with +5V only, all other voltages are generated on the board ■ Backplane connectors used only for power supply
Electrical Specifications	<ul style="list-style-type: none"> ■ Supply voltage/power consumption (board versions with i7-2715QE processor) <ul style="list-style-type: none"> □ +5V (-3%/+5%), 9.6 A typ., 14.4 A max. □ +3.3V (-3%/+5%), 1.8 A (3 Gb Ethernet), 1.4 A (2 Gb Ethernet), 1 A (1 Gb Ethernet) □ +12V (-10%/+10%), approx. 10 mA □ If the board is supplied with 5V only (typically without a bus connection), the 3.3V are generated on the board and fed to the backplane (3A max.) No external 3.3 V voltage may be applied in that case!
Mechanical Specifications	<ul style="list-style-type: none"> ■ Dimensions: conforming to CompactPCI® specification for 3U boards ■ Front panel: 4HP with ejector ■ Weight: 204 g (w/o heat sink)
Environmental Specifications	<ul style="list-style-type: none"> ■ Temperature range (operation): <ul style="list-style-type: none"> □ Depends on system configuration (CPU, hard disk, heat sink...) □ Maximum: +85°C □ Minimum: -40°C (all processors) □ Conditions: airflow 1.5m/s, typical power dissipation: 12 W (board versions with i7-2715QE processor) with Windows® XP operating system and 1 Gb Ethernet connection ■ Temperature range (storage): -40..+85°C ■ Relative humidity (operation): max. 95% non-condensing ■ Relative humidity (storage): max. 95% non-condensing ■ Altitude: -300m to + 2,000m ■ Shock: 50 m/s², 30 ms ■ Vibration (Function): 1 m/s², 5 Hz - 150 Hz ■ Vibration (Lifetime): 7.9 m/s², 5 Hz - 150 Hz ■ Conformal coating on request
MTBF	<ul style="list-style-type: none"> ■ 417,879 h @ 40°C according to IEC/TR 62380 (RDF2000)
Safety	<ul style="list-style-type: none"> ■ PCB manufactured with a flammability rating of 94V-0 by UL recognized manufacturers
EMC	<ul style="list-style-type: none"> ■ Tested according to EN 55022 (radio disturbance), IEC 61000-4-3 (electromagnetic field immunity), IEC 61000-4-4 (burst) and IEC 61000-4-6 (conducted disturbances)
BIOS	<ul style="list-style-type: none"> ■ InsydeH2O™ UEFI Framework

Technical Data

Intel® Active Management Technology

- Manageability Engine in Chipset
- Network Filters in Chipset
- Dedicated Flash Storage Area
- Out of Band (OOB) Access
 - Power off Access
 - Independent of OS status
 - Power status control
 - Keyboard-Video-Mouse (KVM) Viewer (VNC-compatible)
 - IDE-Redirect
 - Serial-over-LAN

Software Support

- Note that 64-bit hardware technology can be used in an optimal way with 64-bit operating system support
- Windows®
- Linux
- VxWorks® (on request)
- QNX® (on request)
- Intel® Virtualization Technology, allows a platform to run multiple operating systems and applications in independent partitions; one computer system can function as multiple "virtual" systems
- [For more information on supported operating system versions and drivers see Downloads.](#)

Configuration & Options

Standard Configurations

Article No.	CPU Type	CPU Frequency	System RAM	Side Card Slot	Operating Temperature
02F021P06	Core i7-2715QE	2.1/3.0 GHz	4 GB	right	0..60°C screened
02F021P07	Core i7-2610UE	1.5 GHz	4 GB	right	0..60°C screened

Options

CPU	<ul style="list-style-type: none"> ■ Intel® Core™ i7-2715QE, 2.1 GHz, 6 MB Cache, 45 W ■ Intel® Core™ i7-2655LE, 2.2 GHz, 4 MB Cache, 25 W ■ Intel® Core™ i7-2610UE, 1.5 GHz, 4 MB Cache, 17 W ■ Intel® Core™ i5-2515E, 2.5 GHz, 3 MB Cache, 35 W ■ Intel® Core™ i3-2340UE, 1.3 GHz, 3 MB Cache, 17 W, no AMT ■ Intel® Core™ i3-2310E, 2.1 GHz, 3 MB Cache, 35 W, no AMT ■ Intel® Celeron® B810E, 1.6 GHz, 2 MB Cache, 35 W, no AMT ■ Intel® Celeron® 847E, 1.1 GHz, 2 MB Cache, 17 W, no AMT ■ Intel® Celeron® 827E, 1.4 GHz, 1.5 MB Cache, 17 W, no AMT
Memory	<ul style="list-style-type: none"> ■ System RAM <ul style="list-style-type: none"> □ Up to 16 GB ■ microSD™ card <ul style="list-style-type: none"> □ 0 MB up to maximum available ■ mSATA disk <ul style="list-style-type: none"> □ 0 MB up to maximum available
Graphics	<ul style="list-style-type: none"> ■ One DVI-D connector at front via side card <ul style="list-style-type: none"> □ Simultaneous connection of two monitors
I/O	<ul style="list-style-type: none"> ■ Ethernet <ul style="list-style-type: none"> □ 9-pin D-Sub connector with one or two 10/100Base-T ports instead of two RJ45 connectors □ Second Ethernet at rear I/O connector J2 instead of one interface at the front ■ Rear I/O <ul style="list-style-type: none"> □ VGA on CompactPCI® J2 connector as an assembly option for the conduction-cooled board version □ VBATT on CompactPCI® J1 connector as an assembly option for the conduction-cooled board version
Miscellaneous	<ul style="list-style-type: none"> ■ TPM (Trusted Platform Module) chip assembled as an option
Mechanical	<ul style="list-style-type: none"> ■ Side card can be added at left or right side of CPU
Operating Temperature	<ul style="list-style-type: none"> ■ Depends on system configuration (CPU, hard disk, heat sink...) ■ Maximum: +85°C ■ Minimum: -40°C (all processors)
Cooling Concept	<ul style="list-style-type: none"> ■ Also available with conduction cooling in MEN CCA frame

Please note that some of these options may only be available for large volumes. Please ask our sales staff for more information.

Ordering Information

Standard F21P Models	02F021P06	Intel® Core™ i7-2715QE, 2.1 GHz, 4 GB DDR3 DRAM with ECC, 0..+60°C screened
	02F021P07	Intel® Core™ i7-2610UE, 1.5 GHz, 4 GB DDR3 DRAM with ECC, 0..+60°C screened
Related Hardware	02F600-00	2 COM extensions and SATA hard disk slot, for F14 and compatible SBCs, -40..+85°C screened
	02F601-00	1 DVI-D and 1 audio at front, SATA hard disk slot, for F14 and compatible SBCs, 4HP, 0..+60°C
	02F603-00	3U CompactPCI® side card with 2 USB and 1 COM extension, SATA hard disk and CompactFlash® slot, for F14 and compatible SBCs, mounted to the right of the SBC, 0..+60°C
	02F604-00	3U CompactPCI® side card with 1 IEEE 1394 FireWire, 1 DVI, 1 HD audio and 1 COM extension, SATA hard disk slot, for F14 and compatible SBCs, mounted to the right of the SBC, 0..+60°C
	02F606-00	2 Gigabit Ethernet on Lemo railway compliant connectors, 1 COM extension (SA-Adapter™ not included), SATA hard disk slot, for F14 and compatible SBCs, conformally coated, -40..+85°C screened
	02F608-00	4 SATA and 2 COM ports, additional SATA hard disk slot on-board, for F14 and compatible SBCs, mounted to the right of the SBC, 0..+60°C
	08CT12-00	CompactPCI® PlusIO rear transition module 3U/80mm, 2 Ethernet, 4 USB, 4 SATA, 4 PCIe® x1, -40°C..+85°C qualified
Memory	0751-0046	MicroSD card, 2 GB, -40..+85°C
	0751-0051	SSD mSATA, 8 GB, -40..+85°C
	0751-0052	MicroSD card, 4 GB, -40..+85°C
	0754-0007	SSD SATA 256 GB, 2.5" MLC, 0..+70°C
Systems & Card Cages		MEN delivers turn-key systems completely installed (hardware, operating system, accessories), wired and tested. Different rack sizes, power supplies and backplanes on request. For details please contact your local sales representative.
	0701-0046	CompactPCI® 19" 4U/24HP desktop system for 3U cards, 3-slot 3U CompactPCI® backplane, system slot right, 1U fan tray with 1 fan, 8 HP space for 1 pluggable PSU
	0701-0056	CompactPCI® 19" 4U/84HP rack-mount enclosure for 3U cards (vertical), 4+4-slot 3U CompactPCI® / CompactPCI® Serial hybrid backplane, prepared for rear I/O, 250W power supply wide range 90..264VAC on rear, 1U fan tray with 2 fans included, 0..+60°C
Miscellaneous Accessories	0713-0003	CompactPCI® 3U 1-slot backplane for stand-alone operation of F14, F15, F17, F18, F19P, F21P: 32-bit/33-MHz with rear I/O, 3.3V supply, ATX-power, power, JTAG, IPMB and utility connection, 6x screw connection M3
Software: Linux		This product is designed to work under Linux. See below for potentially available separate software packages from MEN.
	13XM01-06	MDISS™ low-level driver sources (MEN) for XM1, XM1L, MM1, MM2, XM2, F11S, F19P, F21P, F22P, G20, G22, SC21, SC27 and DC2 board controller
	13Y004-06	MDISS™ low-level driver sources (MEN) for generic SMBus driver for F14, F15, F17, F18, F19P, F21P, F22P, G20, G22, D9, D601, F600 and F601, A19, A20, F217, SC24, BC50M, BC50I and BL50W

Ordering Information

Software: Windows®	This product is designed to work under Windows®. See below for potentially available separate software packages from MEN.
10F014-78	Windows® XP Embedded BSP (MEN) for F11S, F14, F15, F17, F18, F19P, F21P, G20, XM1, XM1L, XM2, MM1, MM2, SC21, SC24, DC1, DC2, RC1, BC50I, BC50M and BL50W
10Y000-78	Windows® Embedded Standard 7 BSP for F11S, F19P, F21P, F22P, G20, G22, XM1L, XM2, MM1, MM2, SC21, SC24, SC27, BC50M, BC50I, BL50W, BL50S, F206, F210, F215, F216, G215, P506, P507 and P511
13F021P77	Windows® Installset (MEN) for F21P (Includes all free drivers developed by MEN for the supported hardware.)
13T003-70	Windows® chipset driver (Intel®) for F14, F15, F17, F18, F18E, F19P, F21P, F22P, G20, G22, XM2, D9, D6, D7, D601, A19 and A20
13T005-70	Windows® USB2UART driver (FTDI) for F14, F15, F17, F18, F19P, F21P, F22P, D9, A19, A20, XM2 and XM50 / XM51 / F50P / F50C hosts
13T006-70	Windows® HD Audio driver (Realtek) for F14, F15, F17, F18, F19P, F21P, F22P, D9 and A19
13T010-70	Windows® 32-bit network driver (Intel®) for XM1, XM1L, XM2, MM2, F11S, F18, F18E, F19P, F21P, F22P, G20, G22, GM1, GM2, G211, G211F, SC24, BC50I, BC50M and BL50W
13T020-70	Windows® 64-bit network driver (Intel®) for F18, F18E, F19P, F21P, F22P, G20, G22, GM1, GM2, G211, G211F, XM2, SC24, BC50I, BC50M and BL50W
13T028-70	Windows® Intel® Management Engine Driver (Intel®) for F21P
13T031-70	Windows® XP 32-bit graphics driver (Intel®) for F21P and G22
13T032-70	Windows® 7/Vista 32-bit graphics driver (Intel®) for F21P
13T033-70	Windows® 7/Vista 64-bit graphics driver (Intel®) for F21P

Software: Firmware/BIOS

This product includes a specially adapted BIOS.

14F021P01 System BIOS for F21P

Software: Miscellaneous

Intel® software development products such as analyzers, compilers, threading tools etc. can be downloaded under www.intel.com/cd/software/products/asmo-na/eng/index.htm. IA-32 Intel® Architecture Software Developer's Manuals are available under www.intel.com/products/processor/manuals/index.htm.

For operating systems not mentioned here [contact MEN sales](#).

Documentation

Compare Chart 3U CompactPCI® Serial CPU and I/O cards » [Download](#)

Compare Chart 3U CompactPCI® / PlusIO CPU cards » [Download](#)

Compare Chart 3U CompactPCI® / PlusIO peripheral cards » [Download](#)

Compare Chart 3U CompactPCI® / PlusIO extension cards » [Download](#)

20F021PER F21P Errata

20F021P00 F21P User Manual

21APPN014 Application Note: Switching on the AMT function

21APPN015 Application Note: Using Real-Time Operating Systems on MEN CPUs with InsydeH2O™ UEFI BIOS

21APPN016 Application Note: Accessing SMBus under Linux Kernel 3.2 on MEN Intel® Boards

Contact Information

Germany

MEN Mikro Elektronik GmbH
Neuwieder Straße 3-7
90411 Nuremberg
Phone +49-911-99 33 5-0
Fax +49-911-99 33 5-901

info@men.de
www.men.de

France

MEN Mikro Elektronik SA
18, rue René Cassin
ZA de la Châtelaine
74240 Gaillard
Phone +33 (0) 450-955-312
Fax +33 (0) 450-955-211

info@men-france.fr
www.men-france.fr

USA

MEN Micro Inc.
860 Penllyn Blue Bell Pike
Blue Bell, PA 19422
Phone (215) 542-9575
Fax (215) 542-9577

sales@menmicro.com
www.menmicro.com

The date of issue stated in this data sheet refers to the Technical Data only. Changes in ordering information given herein do not affect the date of issue. All brand or product names are trademarks or registered trademarks of their respective holders.

MEN is not responsible for the results of any actions taken on the basis of information in the publication, nor for any error in or omission from the publication.

MEN expressly disclaims all and any liability and responsibility to any person, whether a reader of the publication or not, in respect of anything, and of the consequences of anything, done or omitted to be done by any such person in reliance, whether wholly or partially, on the whole or any part of the contents of the publication.

The correct function of MEN products in mission-critical and life-critical applications is limited to the environmental specification given for each product in the technical user manual. The correct function of MEN products under extended environmental conditions is limited to the individual requirement specification and subsequent validation documents for each product for the applicable use case and has to be agreed upon in writing by MEN and the customer. Should the customer purchase or use MEN products for any unintended or unauthorized application, the customer shall indemnify and hold MEN and its officers, employees, subsidiaries, affiliates, and distributors harmless against all claims, costs, damages, and expenses, and reasonable attorney fees arising out of, directly or indirectly, any claim or personal injury or death associated with such unintended or unauthorized use, even if such claim alleges that MEN was negligent regarding the design or manufacture of the part.

In no case is MEN liable for the correct function of the technical installation where MEN products are a part of.

Copyright © 2013 MEN Mikro Elektronik GmbH. All rights reserved.