

Feature Summary:

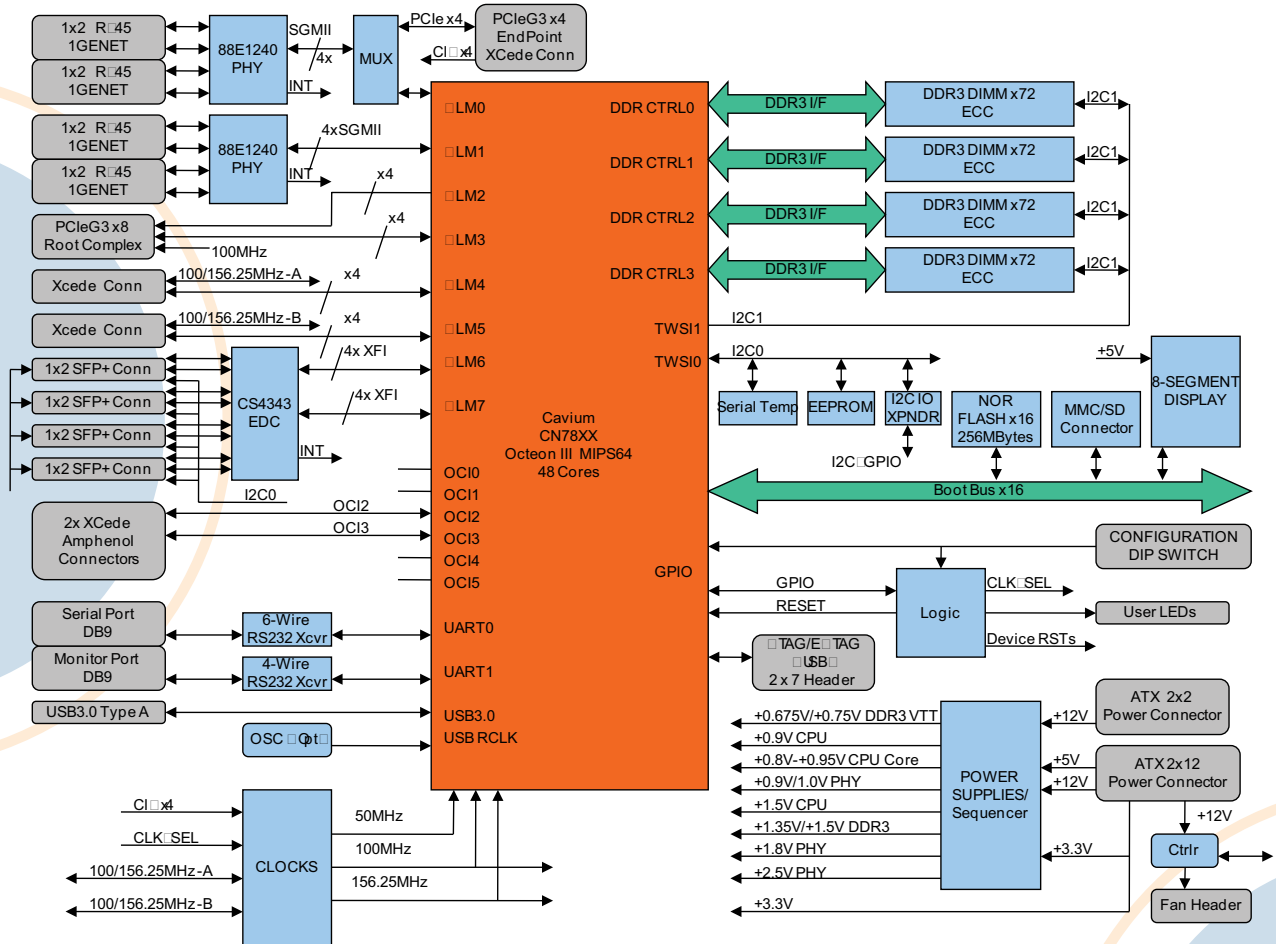
Specification:	Description:
Form Factor:	ATX form factor, ATX power supply connector
Processor:	Cavium Octeon III CN78xx
RAM:	4 DDR3 controllers support one DIMM each, up to 256GBytes per DIMM
Flash:	Up to 64MB, 1 GB NAND Flash
Ethernet:	8 - 10/100/1000 and 8 - 10Gbps, SPF+ ports
Serial Ports:	6-wire RS232, DB9 and 4-wire RS232, DB9
USB:	USB 3.0 Host, Type A
I2C Devices:	EEPROM and CPU Serial Temp
JTAG:	On board JTAG debug connector
Power:	Unit ships with standard ATX power supply
Software:	U-Boot firmware and Linux support for serial and low level drivers

The EP78xxC is being developed in partnership with Cavium and uses the OCTEON III CN78xx Multi-Core MIPS64 Processors. With up to 48 cnMIPS64 III cores developers can access over 500 application acceleration engines including integrated high-performance search processing leveraged from Cavium's NEURON Search processors, chip-to-chip interconnect and an innovative real time PowerMin™ power manager. Features include multiple ports of 40G, 20G, 10G, GE, Interlaken/LA, SRIO, PCIe Gen3 and USB 3.0.

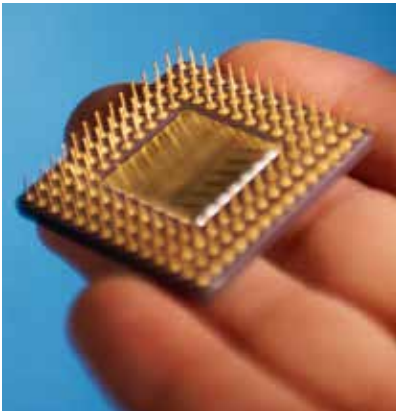
The EP78xxC ships with u-boot installed and a Cavium SDK CD. The kit includes an enclosure, power supply and full documentation.

Contact Embedded Planet today for your OCTEON II and OCTEON III hardware and software product development!

Hardware Block Diagram



Let Us Do The Heavy Lifting



- Embedded Planet offers a complete set of software and hardware services to go along with our Off-the-Shelf solutions.
- Embedded Planet has extensive experience with embedded operating systems and firmware. Our stock configurations of operating systems and firmware can be customized to meet your particular needs.
- We can alleviate the headaches associated with volume production of embedded systems. Your product is delivered 100% tested from an ISO-9002 certified manufacturing facility.
- Our capabilities are available on a project basis to design custom solutions specifically tailored to your application.
- Contact Embedded Planet to find out how we can accelerate your project.