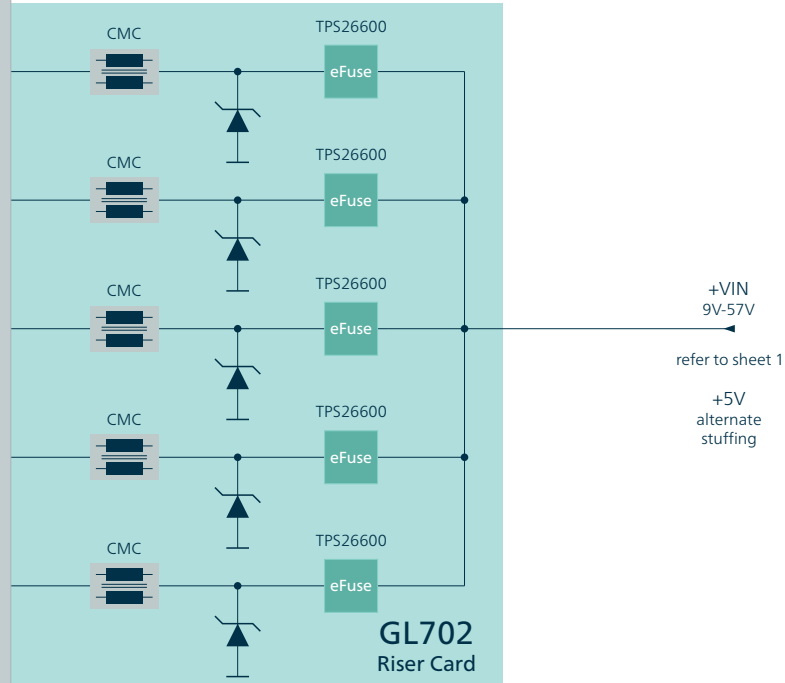


© EKF  
ekf.com

Simplified Block Diagram  
**GL700**  
Single Pair Ethernet Switch



eFuse can be set between 0.1A to 2.23A  
default value is 1.0A current limit  
other current limiting values on request

Alternate stuffing chipfuse 1206 style