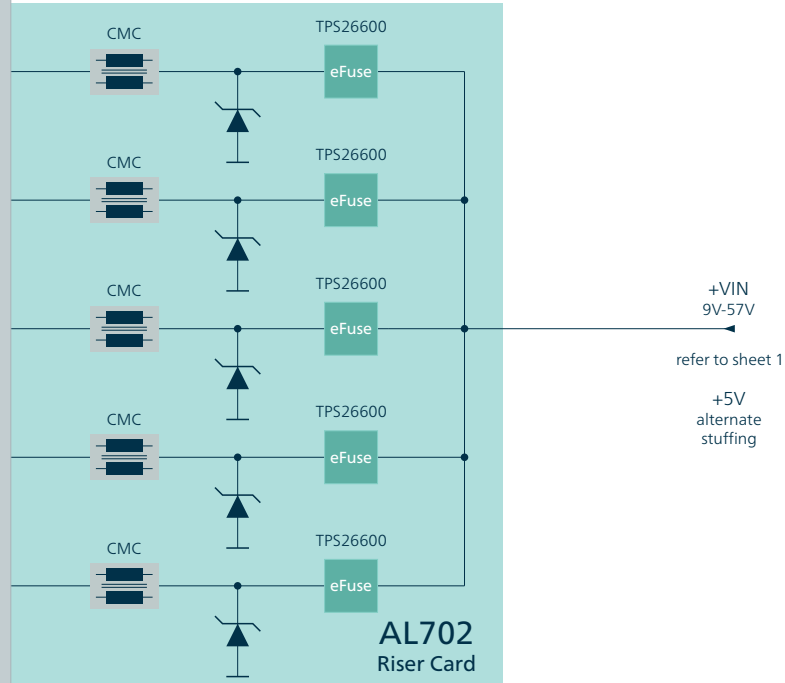


© EKF
ekf.com

Simplified Block Diagram
AL700
Single Pair Ethernet Switch



eFuse can be set between 0.1A to 2.23A
default value is 1.0A current limit
other current limiting values on request

Alternate stuffing chipfuse 1206 style