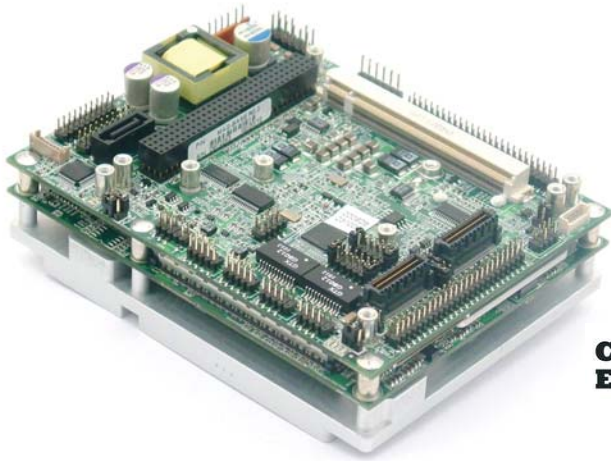


COM Express™ form-factor Embedded-Ready Subsystem with SUMIT™, PC-104™ and FeaturePak™ expansion and configurable COM CPU



COM
Express

Highly Integrated Embedded-Ready Subsystem (ERS)

Magellan integrates an I/O application layer, COM layer, and thermal layer into a compact, COM Express form-factor board-level subsystem.

Price/Performance Advantage

Magellan offers a configurable COM Express CPU so you to match a Magellan ERS to the price/performance needs of your application.

Access to Latest Technology

Magellan's COM-based design provides you with access to the latest CPU and I/O technology, while protecting your investment from CPU obsolescence via plug compatible COM Express CPU modules.

Fast Time-to-Market

Magellan is a fully operational, off-the-shelf subsystem that is ready for immediate deployment in your application. No custom baseboard development is necessary.

Development Kit

Complete Development Kits are available with all the components you need to get started on your embedded design project. Each kit contains a Magellan ERS, cable kit, and Linux software CD.

Software Support

Magellan runs Linux, Windows® XP™, Windows Embedded Standard™ and Windows Embedded CE™. All necessary drivers are provided with the product.

Key Features

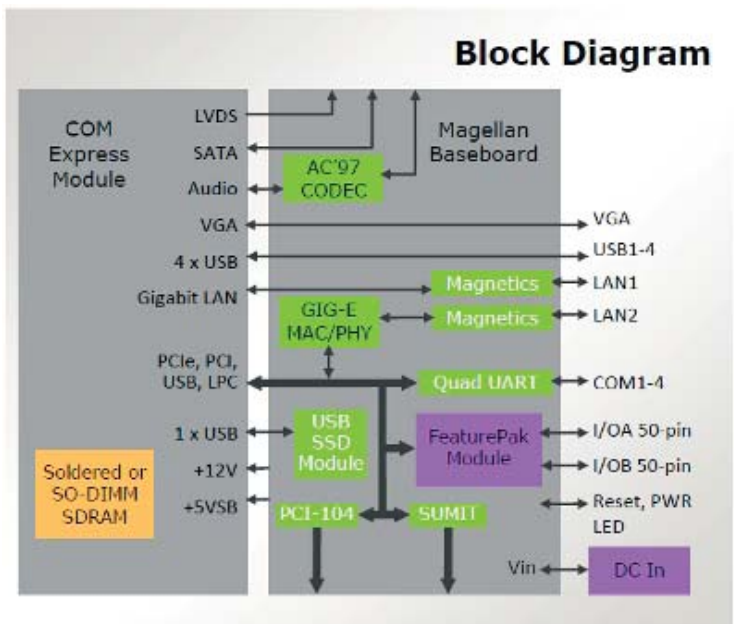
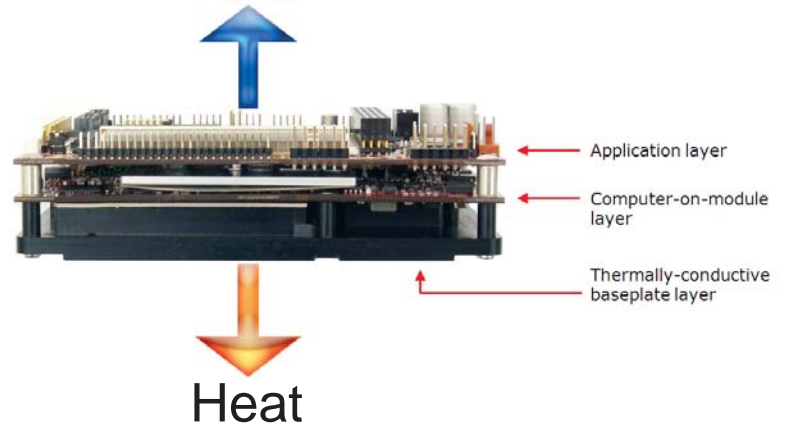
- ◆ Interchangeable COM Express CPU module provides price/performance flexibility and protects against product obsolescence
- ◆ Choice of 1.1GHz Intel® Atom™ Z510 or 1.6GHz Intel Core 2 Duo™ LV CPUs
- ◆ Supports up to 4GB of DDR2 SDRAM (CPU dependent)
- ◆ I/O connectors for a wide range of interfaces, including:
 - Dual gigabit Ethernet LANs
 - One SATA port
 - Four USB 2.0 ports
 - Two RS-232 serial ports
 - CRT and LVDS video output
- ◆ On-board USB flashdisk socket
- ◆ Supports connection of a wide variety of displays, including CRTs, LVDS-interfaced flat panels, and televisions
- ◆ Triple-play system expansion flexibility:
 - PC/104 stack
 - SUMIT stack
 - FeaturePak zero height expansion socket
- ◆ Built-in +7-36 DC/DC power supply or +12VDC input only (LC models). Power is supplied by means of a six-pin terminal block
- ◆ Heatspreader is mounted on bottom side, promoting optimal thermal arrangement and increasing space for I/O functions and connectors
- ◆ Extremely rugged operating temperature of -40°C to +85°C

**FeaturePak™**

SPECIFICATIONS	
Processor	Choice of 1.1GHz Intel Atom Z510 or 1.6GHz Intel Core 2 Duo LV CPU
Front side bus	Atom Z510: 400MHz Core 2 Duo LV: 800MHz
Memory	Atom Z510: 1GB soldered-on DDR2 SDRAM Core 2 Duo LV: 1 GB or 4GB SO-DIMM DDR2
Chipset	Atom Z510: US15WPT Core 2 Duo LV: 965GME with ICH8M
BIOS	AMI PnP Flash BIOS
Mass storage	1 SATA port, supports 1 device USB flashdisk socket
Serial ports	2 RS-232 ports 2 RS-232/422/485 ports
USB ports	4 USB 2.0
Networking	1 gigabit Ethernet from COM CPU 1 gigabit Ethernet from Intel 82574 controller on baseboard
Display	VGA CRT, LVDS LCD
Audio	AC'97 audio CODEC; mic in, line in/out
Watchdog timer	Non-maskable interrupt or reset modes
Other I/O	SMBus; LPC interface
Expansion buses	PC/104 or SUMIT stackable expansion FeaturePak socket
On-board power supply	+7-36V DC/DC power supply or +12V input only (LC models)
Power input	+12VDC or +7-36V DC/DC
Power consumption	MAG-Z510-1G: 10.3W idle, 14.2W loaded MAG-965-xG: 14.2W idle, 23.5W loaded
Operating temperature	-40°C to +85°C (-40°F to +185°F)
Operating humidity	0-90% non-condensing
Dimensions (L x W x H)	MAG-Z510-1G: 4.9 x 3.7 x 1.77 in. (125 x 95 x 57 mm) MAG-965-xG: 4.9 x 3.7 x 2.24 in. (125 x 95 x 57 mm)
Weight	MAG-Z510-1G: 11.7oz (332g) MAG-965-1G: 19.2oz (544g)
RoHS	Compliant

ORDERING INFORMATION	
MAG-965-LC-4G	Magellan ERS, 1.6GHz Core 2 Duo LV CPU, 4GB SO-DIMM SDRAM, heatspreader, +12V input only
MAG-965-LC-1G	Magellan ERS, 1.6GHz Core 2 Duo LV CPU, 1GB SO-DIMM SDRAM, heatspreader, +12V input only
MAG-Z510-1G	Magellan ERS, 1.1GHz Atom Z510 CPU, 1GB soldered-on SDRAM, heatspreader
MAG-Z510LC-1G	Magellan ERS, 1.1GHz Atom Z510 CPU, 1GB soldered-on SDRAM, heatspreader, +12V input only
DK-MAG965LC-1G	Magellan 965LC Development Kit, includes: MAG-965LC-1G with heatsink & fan, cable kit, Linux image
DK-MAG-Z510-1G	Magellan Z510 Development Kit, includes: MAG-Z510-1G, cable kit, Linux image

Stackable Expansion



All trademarks and logos are the property of their respective owners.